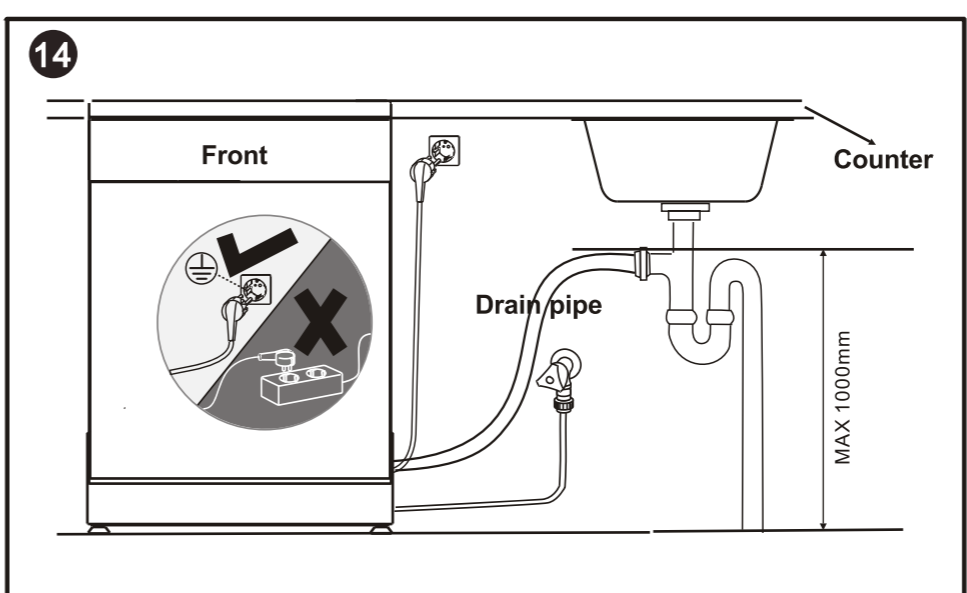
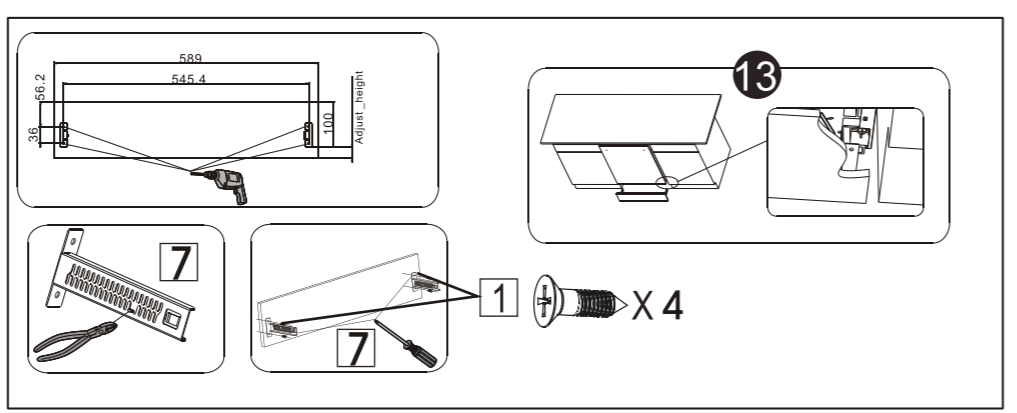
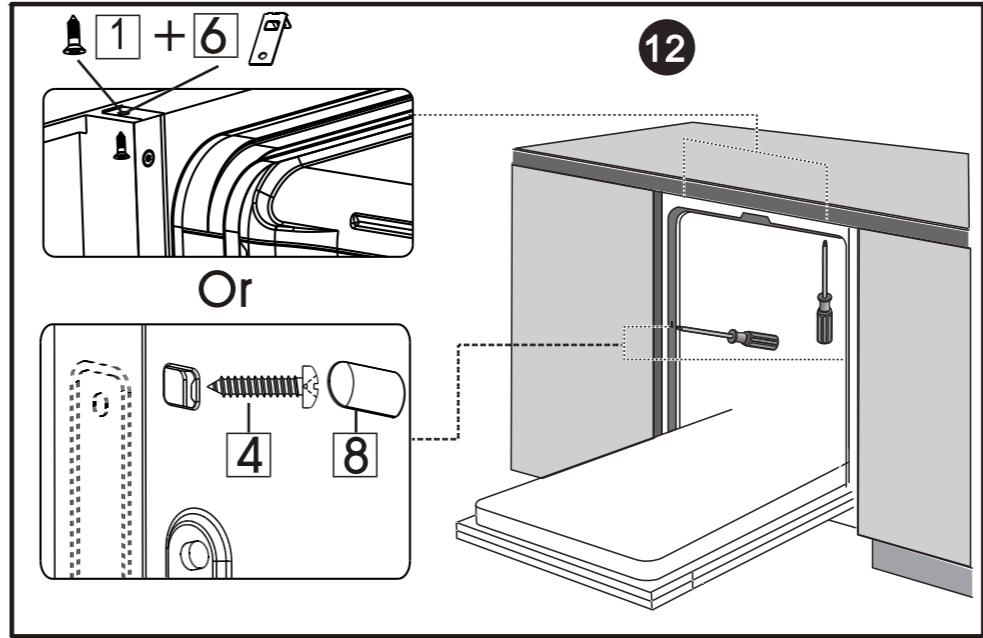
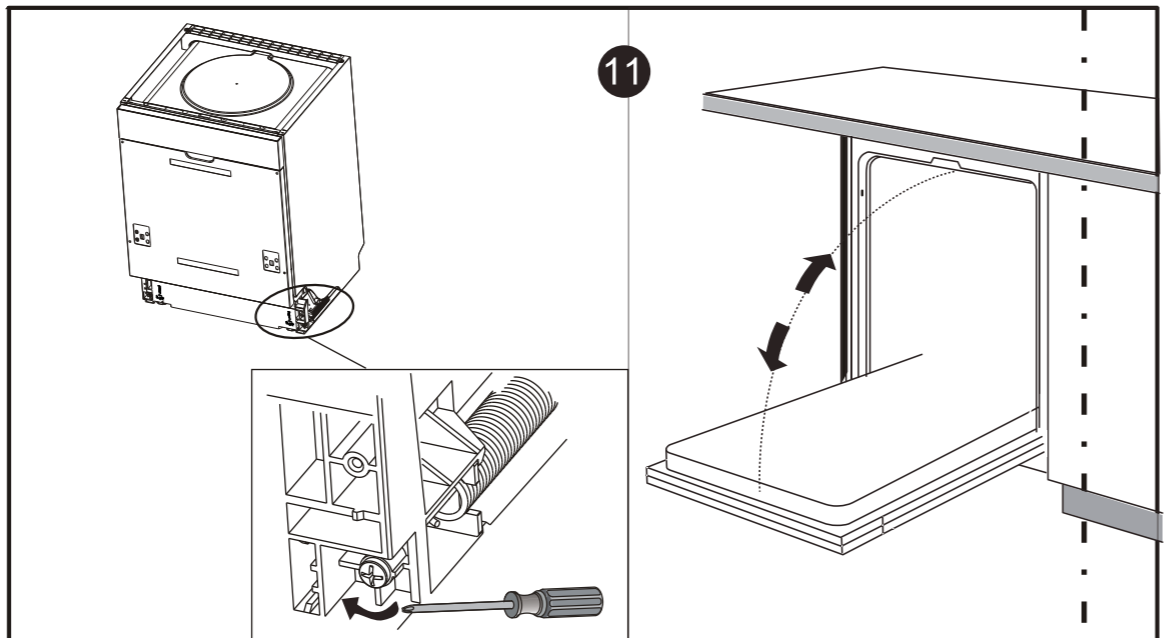
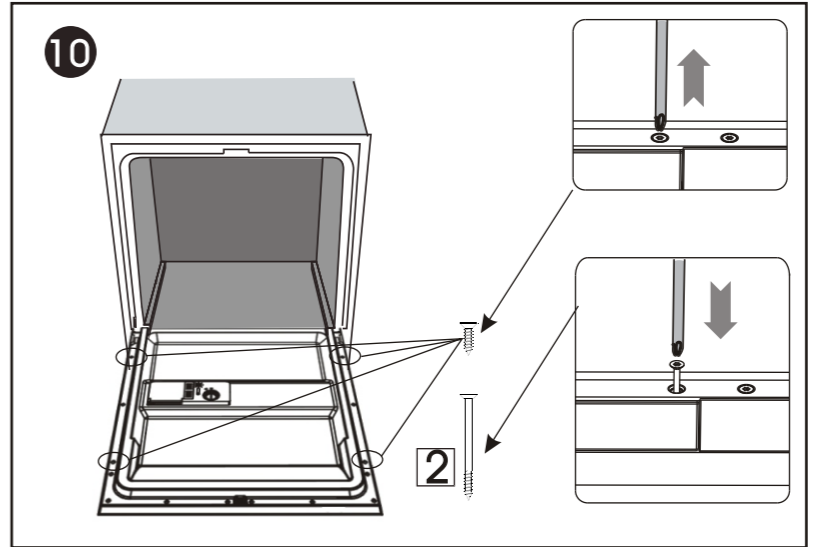
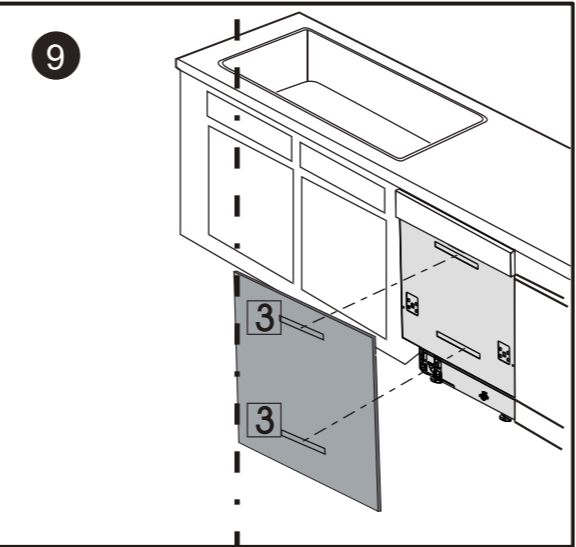
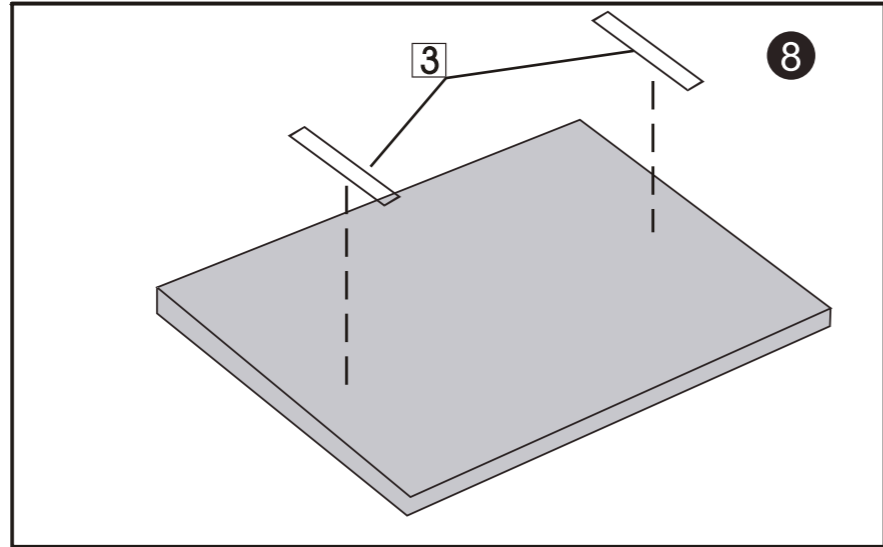
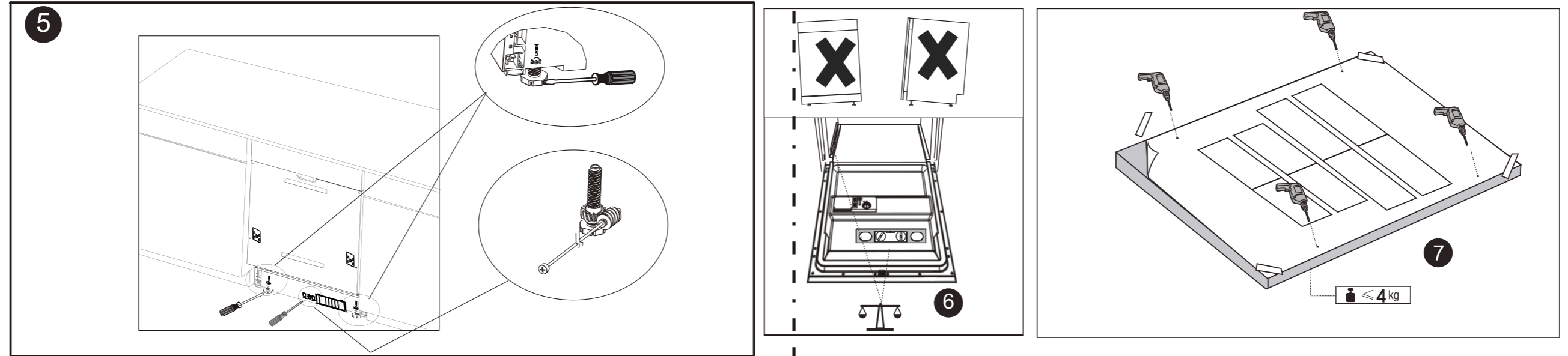
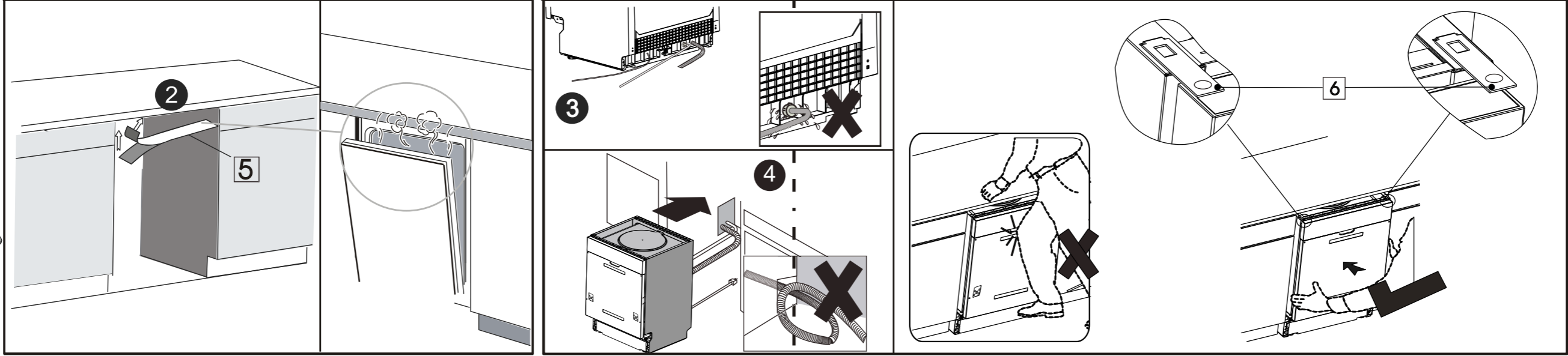
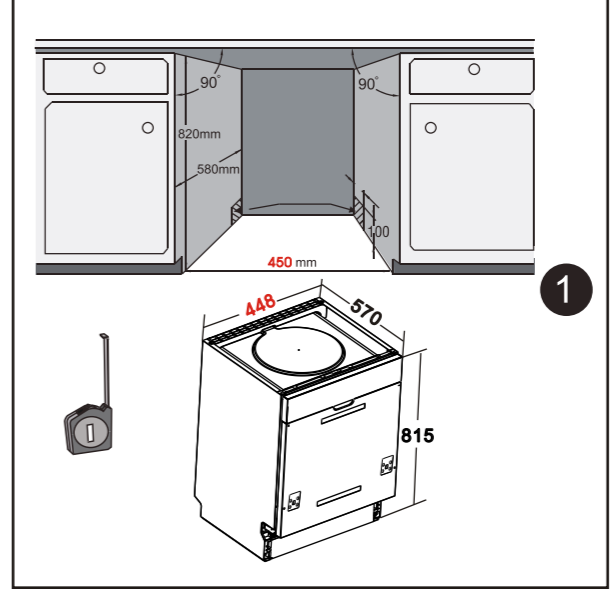


4 or 5 adjustable strips 4.0mm×30mm
 3 adjustable strips 4.0mm×25mm
 2 adjustable strips 4.0mm×14mm

The adjustable strips are used to fill any existing gap between the control panel and the aesthetic panel.
 If adjustable strips are mounted to machine, please cut off the same height of the installation template as the mounted adjustable strip.
 Align the aesthetic panel with the top of the installation template and install the aesthetic panel.

- | | | | | | | |
|---|--|----------|----|---|--|----|
| 1 | | ST4X14 | X6 | 5 | | X1 |
| 2 | | ST3.5*45 | X4 | 6 | | X2 |
| 3 | | | X2 | 7 | | X2 |
| 4 | | ST3.5X16 | X2 | 8 | | X2 |



439±1mm

594 ± 1mm