

FCB 320 V NE E

EN **User and Installation manual**
DE **Bedienungs- und Installationsanleitung**
FR **Manuel d'utilisation et d'entretien**
IT **Manuale d'uso e installazione**
ES **Manual de uso y instalación**
PT **Manual do utilizador e instalação**
PL **Instrukcja instalacji i obsługi**

Refrigerator
Kühlschrank
Réfrigérateur
Frigorifero
Frigorífico
Frigorífico
Chłodziarka

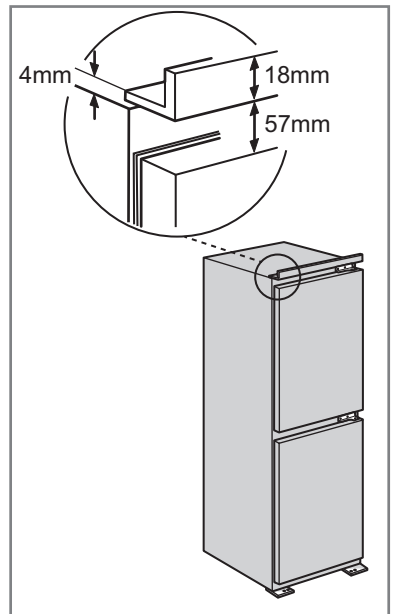
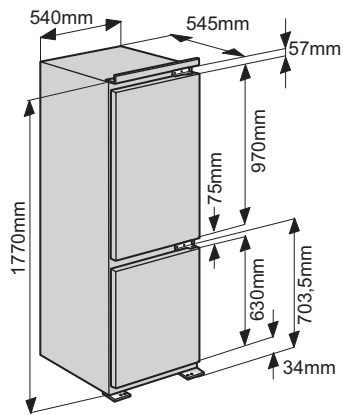
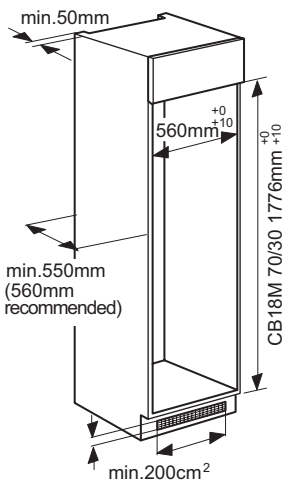
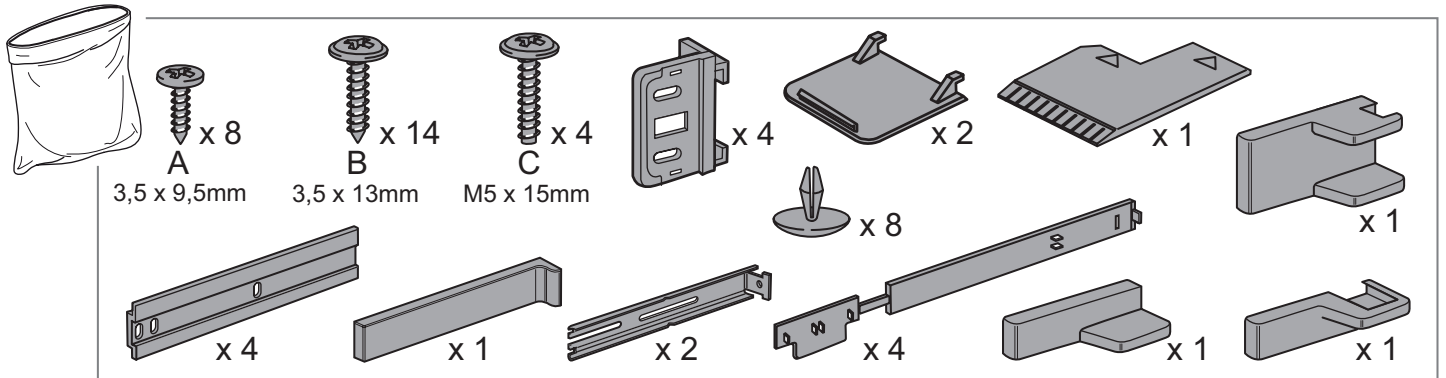
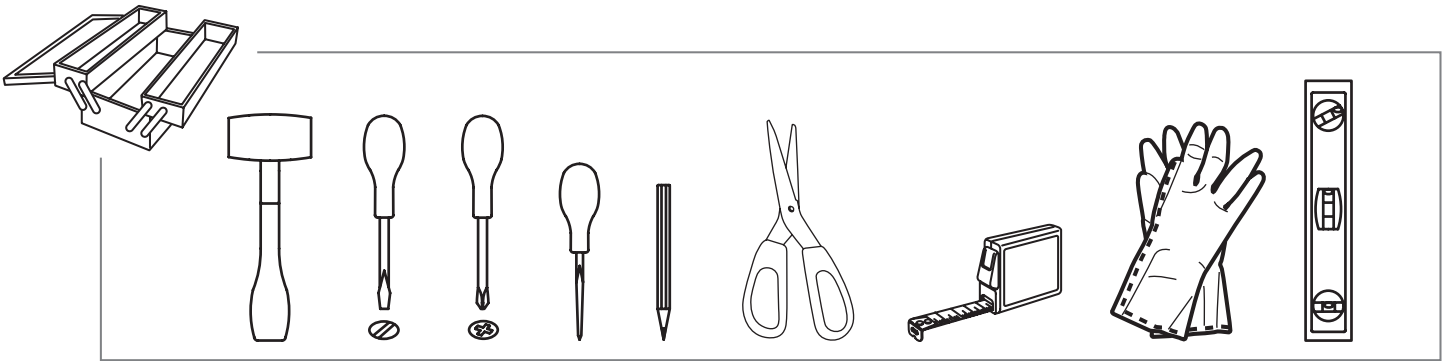
*Make
it
Wonderful*

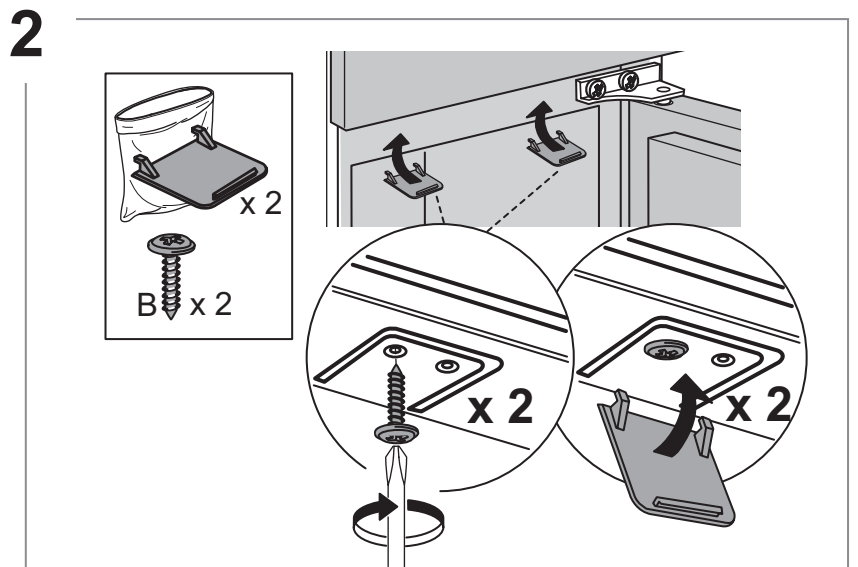
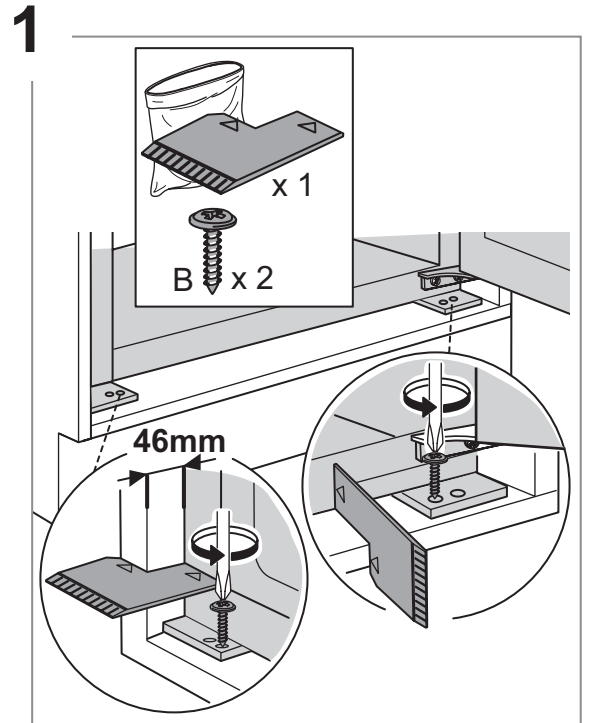
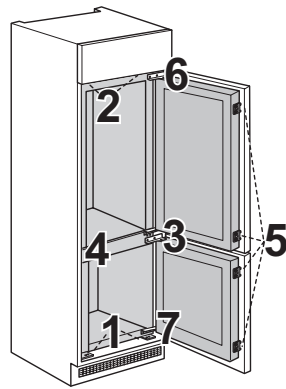
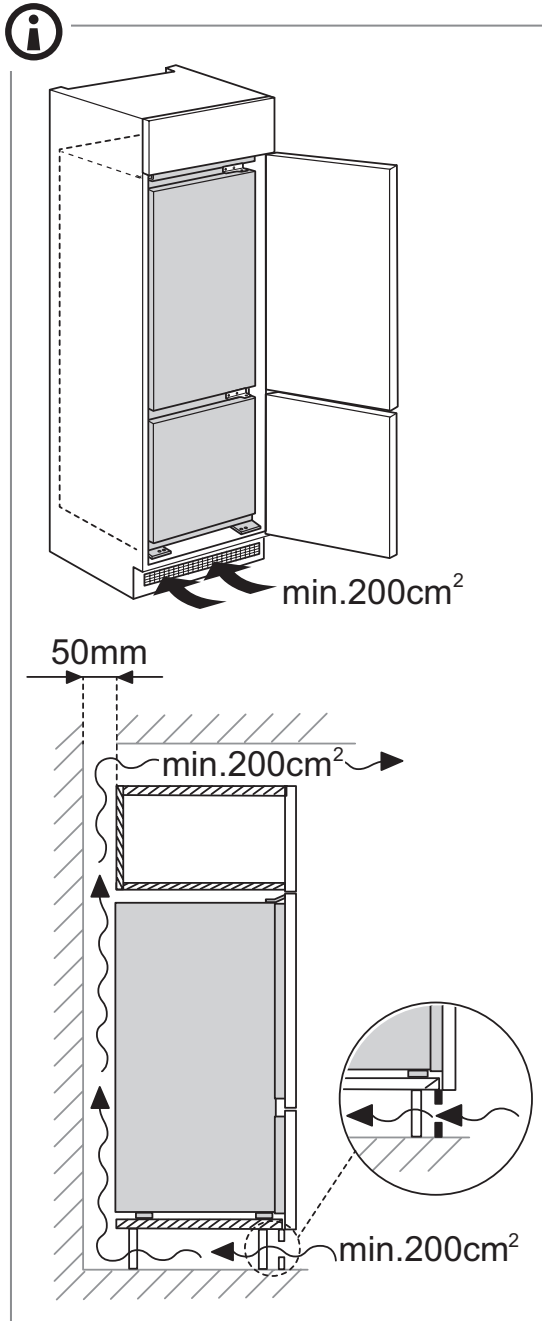
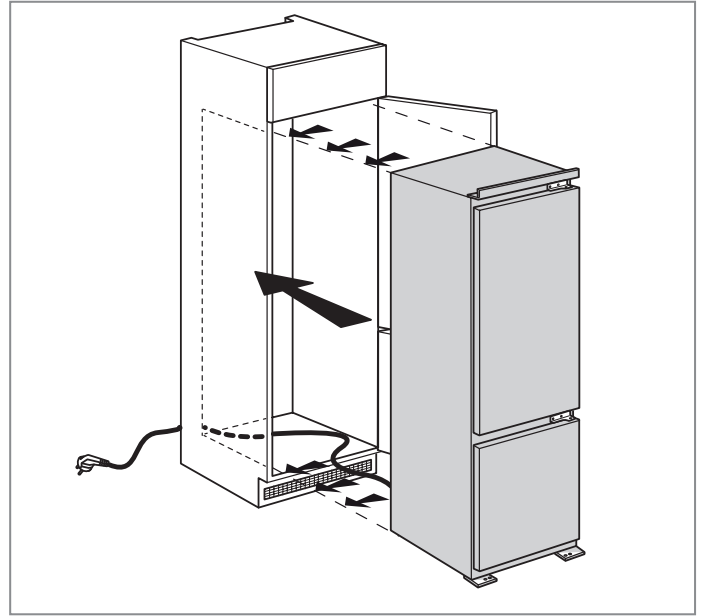
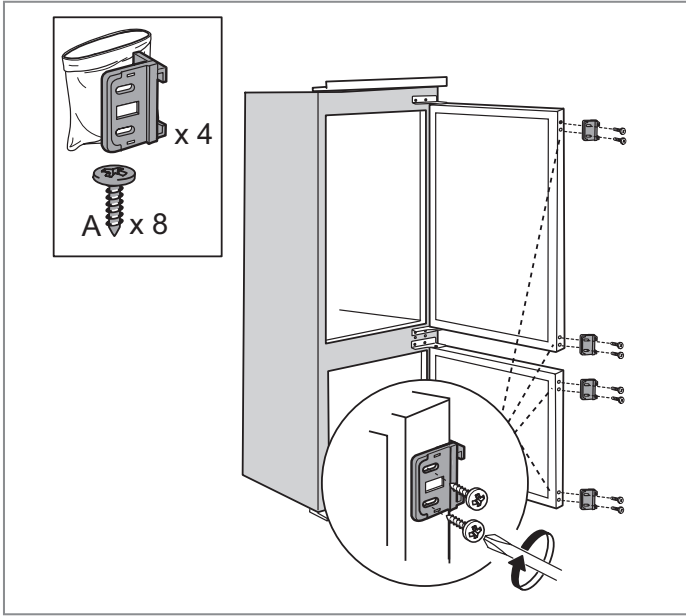
FRANKE

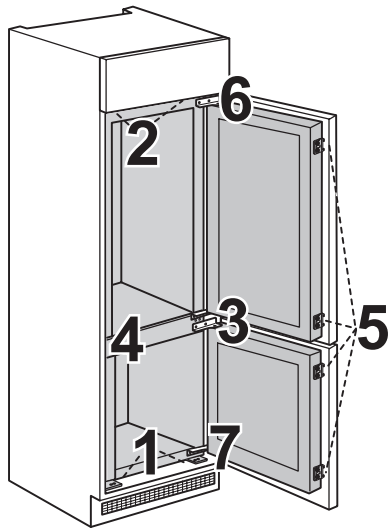
LANGUAGES

Sprachen / Langues / Lingue / Idiomas / Idiomas / Języki

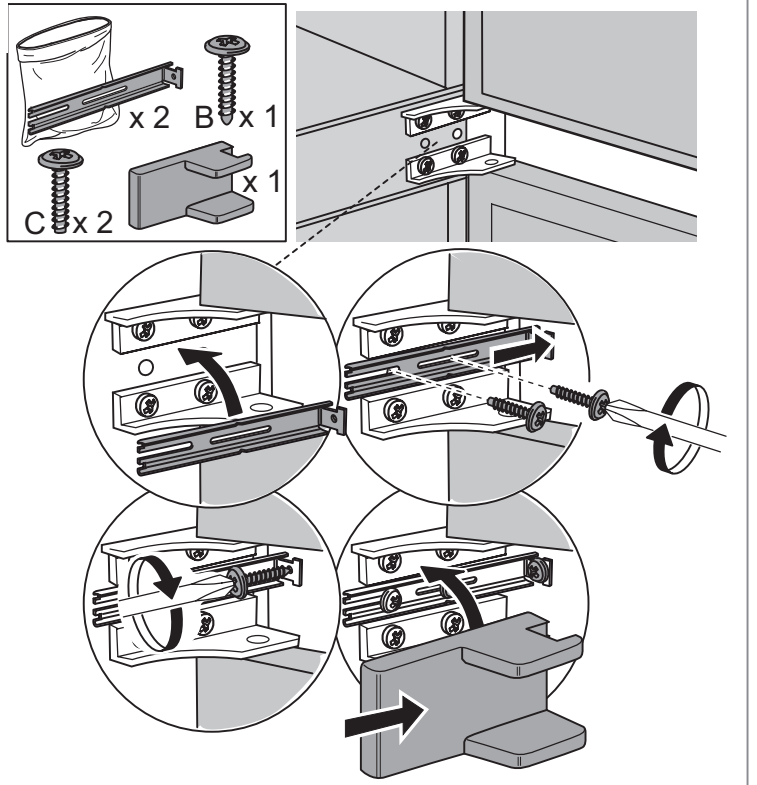
EN	USER AND INSTALLATION MANUAL.....	7
DE	BEDIENUNGS- UND INSTALLATIONSANLEITUNG.....	15
FR	MANUEL D'UTILISATION ET D'INSTALLATION	23
IT	MANUALE D'USO E INSTALLAZIONE.....	31
ES	MANUAL DE USUARIO Y DE INSTALACIÓN	39
PT	MANUAL DO UTILIZADOR E INSTALAÇÃO.....	47
PL	INSTRUKCJA INSTALACJI I OBSŁUGI	55



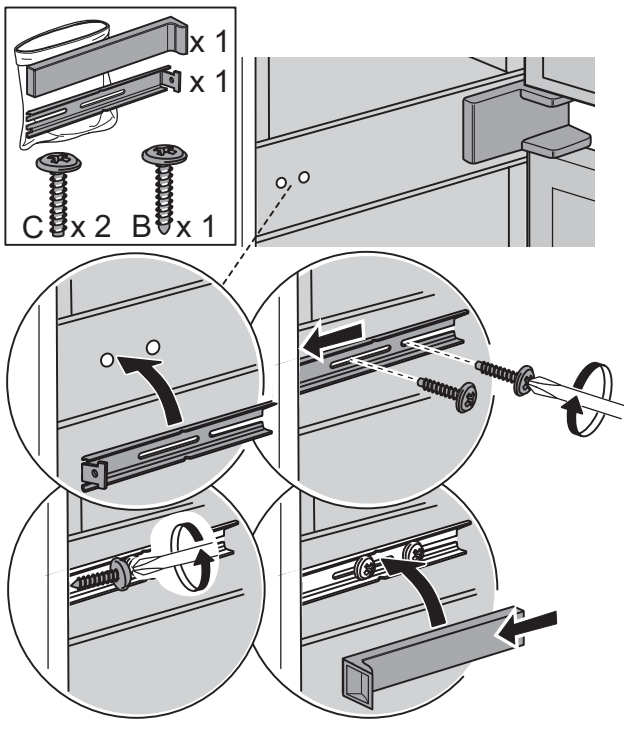




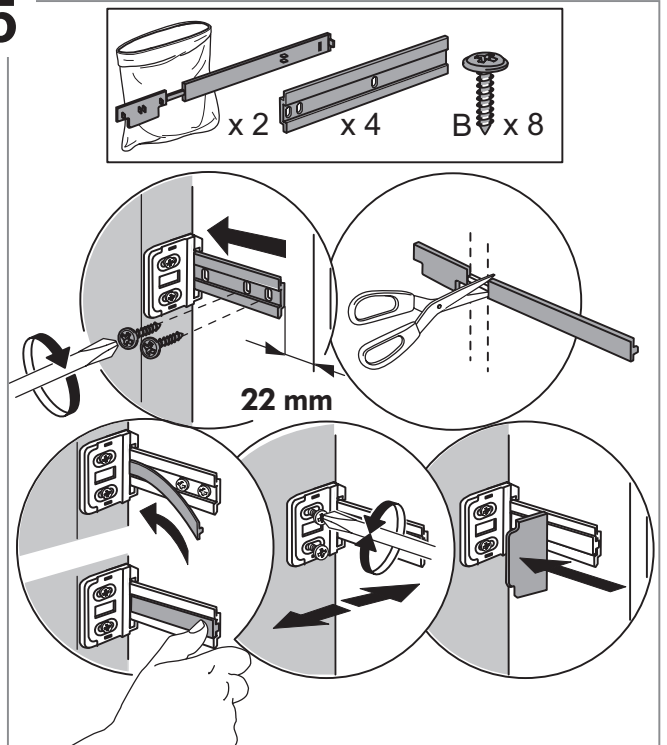
3



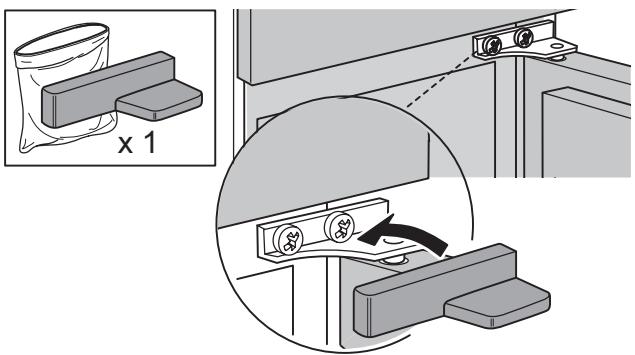
4



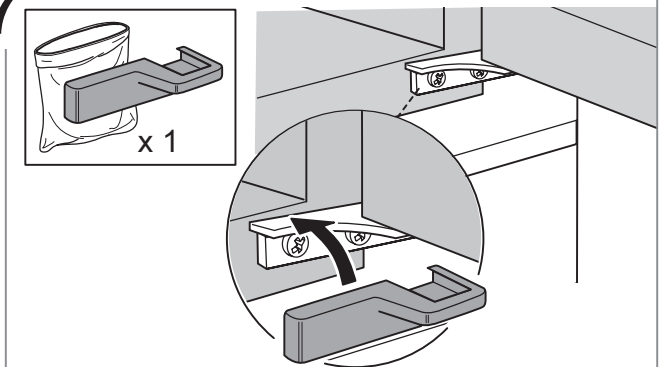
5



6



7



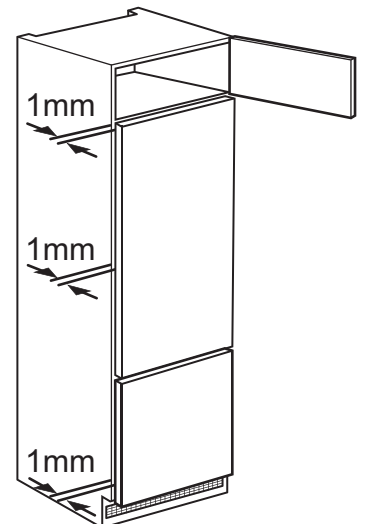
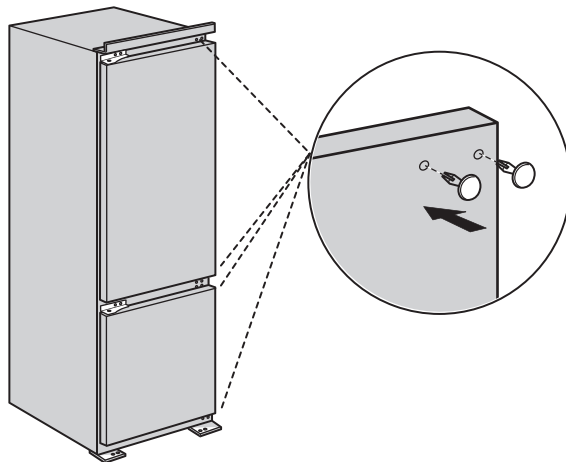
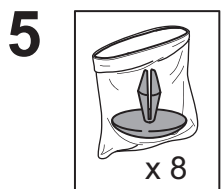
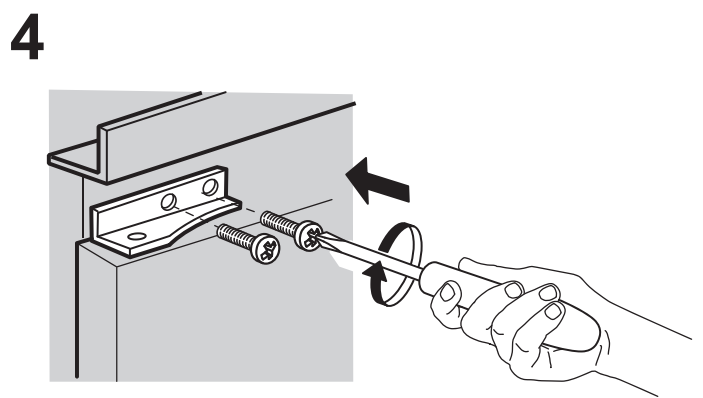
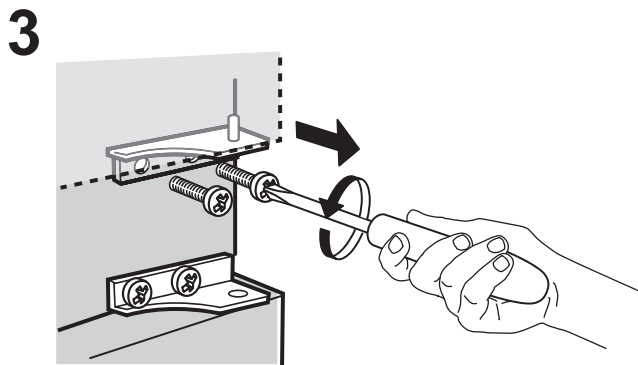
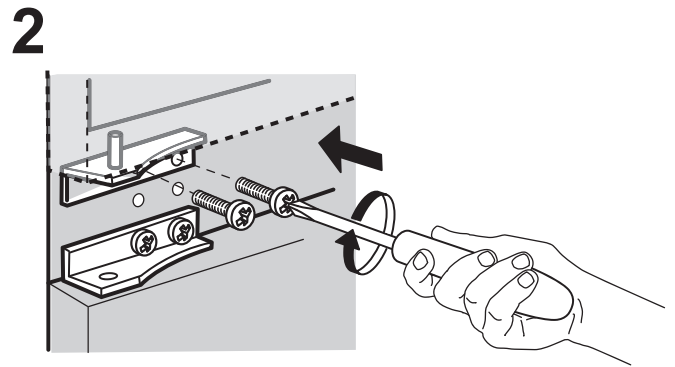
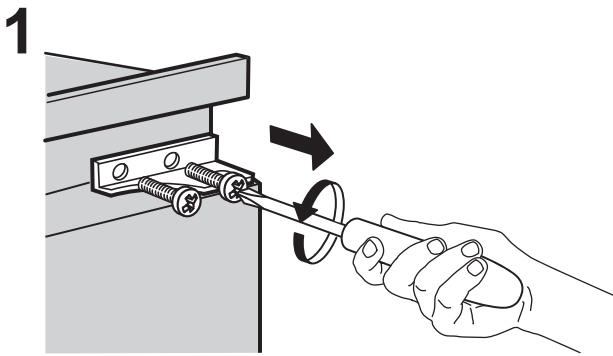
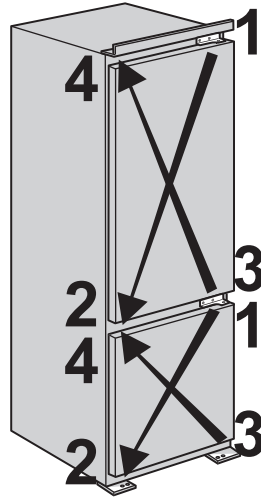
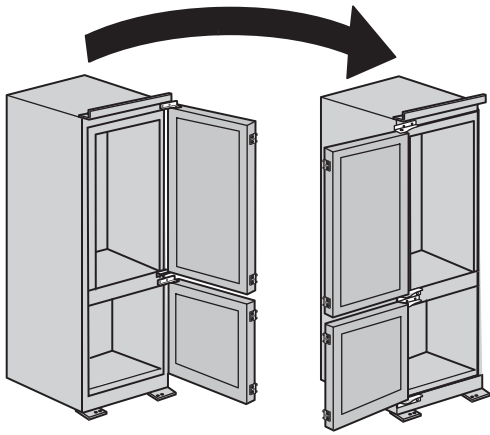


TABLE OF CONTENTS

OVERVIEW	8
General Information	8
Control panel.....	8
OPERATION.....	9
First time use	9
Refrigerator compartment and food storage	9
How to store fresh food and beverages.....	9
Freezer compartment food storage	10
Storage times for home frozen foods	10
How to defrost the freezer compartment	10
Functional sounds.....	11
Recommendation in case of no use of the appliance.....	11
CLEANING AND MAINTENANCE.....	12
Refrigerator light.....	12
Shelves	12
Door.....	12
TROUBLESHOOTING	13
SUPPORT	14

USER GUIDE

OVERVIEW

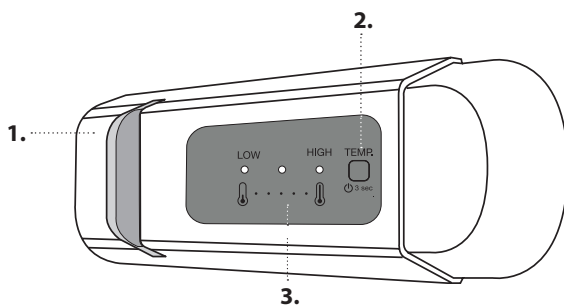
GENERAL INFORMATION

The drawers, baskets and shelves should be kept in their current position unless otherwise specified in this quick guide. The light system inside the refrigerator compartment uses LEDs light, allowing a better lighting than traditional light bulbs as well as a very low energy consumption.

DISPOSAL

Doors and lids of the refrigeration appliance should be removed before disposal in the landfill, to avoid children or animals getting trapped inside.

CONTROL PANEL



1. LED Light
2. On/Stand-by
3. Freezer and refrigerator compartment temperature






ON/STAND-BY
Press the button for 3 seconds to turn the appliance off. In Stand-by mode the light in the refrigerator compartment does not turn on. Press the button again briefly to reactivate the appliance.



Note: this does not disconnect the appliance from the power supply.

FREEZER AND REFRIGERATOR COMPARTMENT TEMPERATURE

The three LED indicators indicate the refrigerator compartment set temperature. It is possible to set a different temperature of the appliance with the  button.

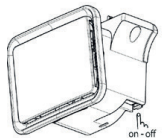
The following adjustments are possible:

LEDs lit	Set temperature
	High (less cold)
	Medium-high
	Medium
	Medium-low
	Low (colder)

FAN

You can turn the Fan on/off by pressing the button on the base (as shown in the figure). If the ambient temperature exceeds 27°C, or if drops of water are present on the glass shelves, it is essential that the fan is on to ensure the proper preservation of the food. Deactivation of the fan allows energy consumption to be optimised.



FREEZING FRESH FOOD

Place the fresh food to be frozen in the FREEZING ZONE in the freezer compartment avoiding the direct contact with the food that is already frozen. To optimize the freezing speed, the lower drawer can be removed and the food can be placed directly on the bottom of the compartment. The quantity of fresh food that can be frozen in 12 and 24 hours is written on the rating plate

To avoid an increase of food waste, refer to recommended setting and Storage Time in OPERATION chapter

OPERATION

FIRST TIME USE

Wait at least two hours, after the installation, before connecting the appliance to the power supply. Connect the appliance to the power supply it starts the operation automatically. The ideal storage temperatures for the food are preset in the factory.

After turning the appliance on, you must wait for 4-6 hours for the correct storage temperature to be reached for a normally filled appliance. If the audible signal sounds, it means that the temperature alarm has intervened: press the button to switch off the acoustic alarms.

REFRIGERATOR COMPARTMENT AND FOOD STORAGE

The refrigerator compartment allows for the storage of fresh food and drink. The refrigerator compartment defrosts completely automatically. The occasional presence of drops of water on the internal back wall of the compartment is a sign of the automatic defrosting phase. The defrosting water is channelled into a drain and then collected in a container, where it evaporates.

Note: the ambient temperature, how often the doors are opened and the position of the appliance may affect the internal temperatures in the two compartments. Set the temperatures depending on these factors. In very humid conditions, condensation may form in the refrigerator compartment, especially on the glass shelves. In this case, it is recommended that you close containers with liquids in (e.g. a pot of stock), wrap up food with a high water content (e.g. vegetables) and turn on the fan, if there is one. All of the drawers, door shelves and shelves can be removed.

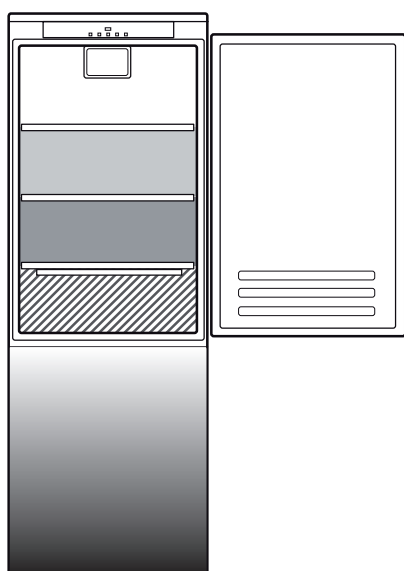
AIR VENTILATION

The ventilation air allows a better distribution of the temperatures inside the compartments and, consequently, better preservation of the food and reduction of excess humidity. Do not obstruct the ventilation area.

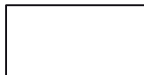



HOW TO STORE FRESH FOOD AND BEVERAGES

Foods which give off a large amount ethylene gas (apples, apricots, pears, peaches, avocado, figs, prunes, blueberries, mellons, beans) and those that are sensitive to this gas, such as fruit vegetables and salad, should always be separated or wrapped so as not to reduce the storage life; for example do not store tomatoes together with kiwi fruits or cabbage. Do not store food too close together to enable sufficient air circulation. Use recyclable plastic, metal, aluminum and glass containers and cling film to wrap foods.

If you have a little quantity of food to store in the refrigerator, we recommend to use the shelves above the crisper for fruits and vegetables since this is the coolest area of the compartment. Always use closed containers for liquids and for food that may give off or be tainted by odor or flavor transfer or cover them. To avoid bottles falling over, you can use the bottle holder (available on selected models).




Legend

	TEMPERATURE ZONE Suggested for the storage of tropical fruit, cans, drinks, eggs, sauces, pickles, butter, jam
	COOL ZONE Suggested for the storage of cheese, milk, daily food, delicatessen, yogurt
	COOLEST AREA Suggested for storage of cold cuts, desserts, meat and fish
	FRUIT & VEGETABLE DRAWER

The load limits are determined by the particular construction (baskets, containers, flaps, drawers, shelves, etc.), or the load limits are determined by natural load limits.

FREEZER COMPARTMENT FOOD STORAGE

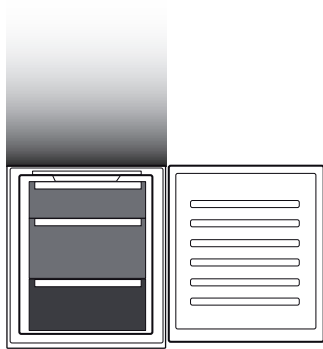
The freezer compartment  allows long time storage of frozen food and freezing of fresh food. The quantity of fresh food that can be frozen in 24 hours is written on the rating plate. Arrange the fresh food in the freezing area inside the freezer compartment, leaving enough space around the food packages to allow air to circulate freely. It is advisable that you do not re-freeze food that has partially defrosted. It is important to wrap the food in a way that prevents the ingress of water, humidity or condensation.

ICE CUBES

Fill 2/3 of the ice tray with water and put it back in the freezer compartment. Do not use sharp or pointed objects to remove the ice under any circumstances.

REMOVING THE DRAWERS

Pull the drawers outwards as far as they will go, lift them up and remove them. To get more volume, the freezer compartment can be used without the drawers. Make sure that the door is closed properly after putting the food back on the grilles/shelves.



Legend



FREEZER DRAWERS



FREEZING ZONE DRAWER
(Max cool zone)

Suggested to freeze fresh/cooked food

STORAGE TIMES FOR HOME FROZEN FOODS

Store Zone

Months	2-6	4-8	6-12
			
Food			
			

HOW TO DEFROST THE FREEZER COMPARTMENT

1. It is advisable to set the temperature colder or turn on the Fast Freeze/Fast Cool* at least four hours before removing the food from the freezer compartment, to prolong the preservation of the food during the defrosting phase.
2. To defrost, turn the appliance off and remove the drawers. Put the frozen food in a cool place. Leave the door open to allow the frost to melt. To prevent the water from escaping during the defrost, it is advised that you place an absorbent cloth on the bottom of the freezer compartment and wring it out regularly.
3. Clean the inside of the freezer compartment and dry it carefully.
4. Turn the appliance back on and put the food back inside.

FUNCTIONAL SOUNDS

1. A buzz generated by the compressor is normal while the product is working.



2. Gurgling and crackles are generated by the passage of the refrigerant gas inside the cooling circuit, therefore these are normal noises.



3. It's possible to "hear" cracks when the compressor is active and inactive: it is a normal sound of the product's structure.



4. Check that the balconies on the inside of the refrigerator door, the shelves and the drawers in the refrigerator compartment are attached and positioned properly, to avoid possible vibrations.
5. Don't place glass containers (bottles, jars, etc.) in direct contact with each other, to avoid vibrations.
6. This device is equipped with a compressor that operates at an optimum speed to minimize energy consumption. So it may happen that in certain situations (in summer or if large quantities of food are introduced) that the compressor increases the speed and therefore it is more noisy than usual.

RECOMMENDATION IN CASE OF NO USE OF THE APPLIANCE

In the event of non-use of the appliance

Disconnect the appliance from the power supply, empty it, defrost it (if necessary) and clean it. Keep the doors slightly ajar to let air circulate inside the compartments. By doing this, you avoid the development of mould and bad odours.

In the event of an interruption to the power supply

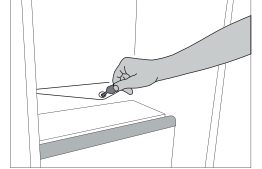
Keep the doors closed so the food stays cold for as long as possible. Do not re-freeze food that has partially defrosted. If there is a prolonged power cut, the black out alarm may also activate (in products with electronics).

CLEANING AND MAINTENANCE

Before any cleaning or maintenance operation, unplug the appliance from the mains or disconnect the electrical power supply.
Never use abrasives. Never clean refrigerator parts with flammable fluids.
Do not use steam cleaners.
The buttons and control panel display must not be cleaned with alcohol or alcohol-derived substances, but with a dry cloth.

Clean the appliance occasionally with a cloth and a solution of warm water and neutral cleaning agents specifically for cleaning the inside of the refrigerator.

To ensure the constant and correct flow of the defrosting water, regularly clean the inside of the drain situated in the back wall of the refrigerator compartment near the fruit and vegetable drawer using the utensil provided.



REFRIGERATOR LIGHT

The light system inside the refrigerator compartment uses LEDs light, allowing a better lighting than traditional light bulbs as well as a very low energy consumption. Contact the Technical Assistance Service if you need a replacement.

Important: The refrigerator compartment light switches on when the refrigerator door is opened.

SHELVES

All of the drawers, door shelves and shelves can be removed.

DOOR

DOOR REVERSIBILITY

Note: The direction of door opening can be changed. If this operation is not performed by After-sales Service it is not covered by the warranty. Follow instruction in **Installation** chapter.

TROUBLESHOOTING

What to do if...	Possible reasons	Solutions
The control panel is switched off, the appliance does not work.	There may be an appliance power supply problem.	Check that: <ul style="list-style-type: none"> • there is not a power outage; • the plug is properly inserted in the power socket and the mains double-pole switch (if present) is in the correct position (i.e. allows the appliance to be powered); • the household electrical system protection devices are efficient; • the power cable is not damaged.
	The appliance could be in On/stand by mode.	Turn the appliance on by briefly pressing the "Temp." button (see On/Stand-by function).
The inside light does not work.	The light may need to be replace. Malfunction of a technical component.	Disconnect the appliance from the power supply and contact the Technical Assistance Service if you need a replacement.
The inside light flashes.	Door alarm active. It is activated when the refrigerator compartment door remains open for a prolonged period of time.	To stop the alarm, close the refrigerator door. On reopening the door, check the light works.
The temperature inside the compartments is not low enough.	There could be various causes (see "Solutions").	Check that: <ul style="list-style-type: none"> • the doors close properly; • the appliance is not installed near a heat source; • the set temperature is adequate; • the circulation of air through the vents at the bottom of the appliance is not obstructed (see installation section).
There is water on the bottom of the refrigerator compartment.	The defrost water drain is blocked.	Clean the defrosting water drain (see section "Cleaning and Maintenance").
Excessive amount of frost in the freezer compartment.	The door of the freezer compartment does not close properly.	<ul style="list-style-type: none"> • Check that there is nothing preventing the door from closing properly. • Defrost the freezer compartment. • Make sure the appliance has been correctly installed.
The front edge of the appliance, at the door striker seal, is hot.	This is not a defect. It prevents condensation from forming.	No solution is necessary.
One or more green symbols are flashing continuously and it is not possible to change the temperature set.	Malfunction alarm. The alarm indicates a fault in a technical component.	Contact Technical Assistance Service.
The temperature of the refrigerator compartment is too cold.	<ul style="list-style-type: none"> • The set temperature is too cold. • A large amount of fresh food may have been placed in the freezer compartment. 	<ul style="list-style-type: none"> • Try to set a less cold temperature. • If fresh food has been placed in the freezer compartment, wait until it has fully frozen. • Turn off the fan (if present) following the procedure described in the paragraph "FAN".

WWW.FRANKE.COM

© Franke Technology and Trademark Ltd, Switzerland

SUPPORT

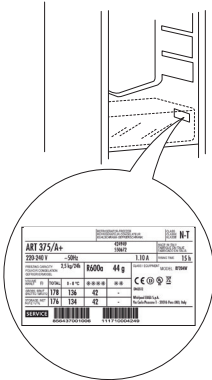
In the event of any operation problems, contact a Franke Technical Service Centre.

Never use the services of unauthorized technicians.

Specify:

- the type of fault
- the appliance model (art./Code)
- the serial number (S.N.).

When contacting our Service Centre, please state the codes provided on your product's identification plate.



INHALT

ÜBERSICHT.....	16
Allgemeine Informationen.....	16
Bedienfeld.....	16
FUNKTIONSWEISE	17
Erster Gebrauch	17
Kühlfach und Lagerung von Lebensmitteln.....	17
Aufbewahren von frischen Lebensmitteln und Getränken.....	17
Gefrierfach Lebensmittellagerung	18
Aufbewahrungszeitraum für zu Hause eingefrorene Lebensmittel	18
Abtauen des Gefrierfachs	18
Betriebsgeräusche	19
Empfehlungen bei Nichtgebrauch des Gerätes	19
REINIGUNG UND WARTUNG.....	20
Kühlschranklicht	20
Ablageflächen.....	20
Tür	20
LÖSEN VON PROBLEMEN.....	21
SUPPORT	22

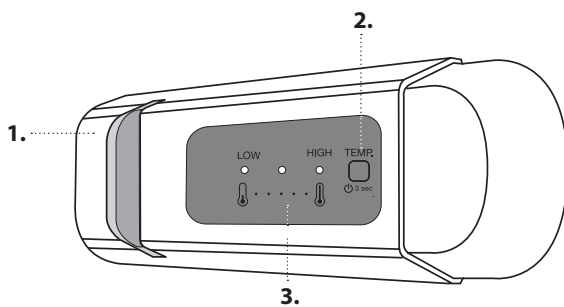
GEBRAUCHSANLEITUNG

ÜBERSICHT

ALLGEMEINE INFORMATIONEN

Schubladen, Körbe und Ablageflächen sollten an ihrem aktuellen Platz bleiben, sofern in dieser Kurzanleitung nicht anders angegeben. Für das Lichtsystem im Inneren des Kühlfachs werden LED-Leuchten verwendet. Diese ermöglichen eine bessere Lichtausbeute als herkömmliche Glühlampen bei sehr niedrigem Energieverbrauch.

BEDIENFELD



1. LED-Lampe
2. On/Stand-by
3. Temperatur Im Gefrierfach Und Kühlraum

ON/STAND-BY (EIN/STANDBY)
Drücken Sie die Taste 3 Sekunden lang, um das Gerät auszuschalten. Im Standby-Modus schaltet sich das Licht im Kühlraum nicht ein. Um das Gerät wieder zu aktivieren, drücken Sie erneut kurz die Taste.

Hinweis: Durch diesen Vorgang wird das Gerät nicht von der Stromversorgung getrennt.

TEMPERATUR IM GEFRIERFACH UND KÜHLRAUM

Die drei LED-Leuchten zeigen die eingestellte Temperatur des Kühlraums an. Mit der Taste kann eine andere Gerätetemperatur eingestellt werden.

Folgende Einstellungen sind möglich:

Leuchtende LEDs Temperatureinstellung

	Hoch (weniger kalt)
	Mittel-hoch
	Mittel
	Mittel-niedrig
	Niedrig (kälter)

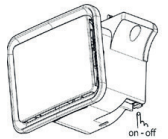
Unter dem Diagramm befinden sich zwei kleine Thermometer-Symbole, die die Temperaturzunahme von links nach rechts an den LED-Kombinationen verdeutlichen.

ENTSORGUNG

Türen und Klappen des Kühlgeräts müssen vor der Entsorgung auf der Mülldeponie entfernt werden, um zu vermeiden, dass Kinder oder Tiere darin eingeschlossen werden.

GEBLÄSE

Das Gebläse kann durch Drücken der Taste am Boden ein- und ausgeschaltet werden (wie abgebildet). Übersteigt die Umgebungstemperatur 27 °C, oder es befinden sich Wassertropfen auf den Glasablagen, muss das Gebläse unbedingt eingeschaltet sein, damit die Lebensmittel optimal konserviert werden. Die Deaktivierung des Gebläses sorgt für einen wirtschaftlichen Energieverbrauch.



FRISCHE LEBENSMITTEL EINFRIEREN

Legen Sie die zu gefrierenden frischen Lebensmittel in den GEFRIERBEREICH im Gefrierfach und vermeiden Sie direkten Kontakt mit den Lebensmitteln, die bereits gefroren sind. Um die optimale Gefriergeschwindigkeit zu erzielen, kann die untere Schublade entfernt werden und die Lebensmittel können direkt unten im Fach platziert werden. Die Menge an Lebensmitteln, die pro 12 und 24 Stunden eingefroren werden kann, ist auf dem Typenschild angegeben.

Um eine Zunahme der Lebensmittelverschwendung zu vermeiden, lesen Sie bitte die empfohlene Einstellung und Lagerzeit im Kapitel BETRIEB

FUNKTIONSWEISE

ERSTER GEBRAUCH

Warten Sie mindestens zwei Stunden nach der Installation, bevor Sie das Gerät an das Stromnetz anschließen. Schließen Sie das Gerät an das Stromnetz an. Es startet automatisch. Die idealen Temperaturen zur Lagerung von Lebensmitteln sind ab Werk voreingestellt.

Nach dem Einschalten des Geräts müssen Sie 4-6 Stunden warten, bis die korrekte Lagertemperatur für ein normal befülltes Gerät erreicht ist. Wenn das akustische Signal ertönt, bedeutet dies, dass der Temperaturalarm ausgelöst wurde: Zum Abschalten des akustischen Alarms die Taste drücken.

KÜHLFACH UND LAGERUNG VON LEBENSMITTELN

Im Kühlfach können frische Lebensmittel und Getränke aufbewahrt werden. Das Kühlfach taut vollautomatisch ab. Gelegentlich auf der Innenrückwand des Kühlfachs auftauchende Wassertropfen weisen auf die automatische Abtauphase hin. Das Tauwasser läuft automatisch durch eine Abflussöffnung in einen Behälter, in dem es verdampft.

Hinweis: Umgebungstemperatur, Häufigkeit der Türöffnung und Aufstellungsort des Geräts können die Innentemperatur in den beiden Fächern beeinflussen. Beachten Sie diese Faktoren bei der Temperatureinstellung. Unter sehr feuchten Umgebungsbedingungen kann sich Kondenswasser im Kühlfach bilden, vor allem auf den Glasablagen. In diesem Fall empfiehlt es sich, Behälter mit Flüssigkeiten abzudecken (z. B. ein Topf mit Brühe), Lebensmittel mit hohem Flüssigkeitsgehalt (z. B. Gemüse) einzuwickeln, und den Lüfter einzuschalten (falls vorhanden). Sämtliche Schubladen, Türablagen und Ablageflächen können entfernt werden.

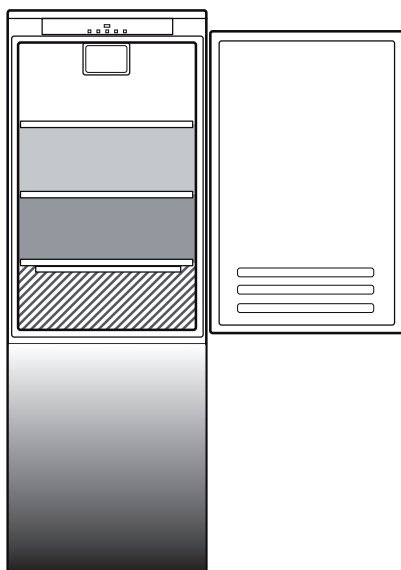
BELÜFTUNG

Die Belüftung ermöglicht eine bessere Temperaturverteilung in den Fächern und somit bessere Lebensmittelkonservierung und Verringerung der überschüssigen Feuchtigkeit. Blockieren Sie den Lüfterbereich nicht.

AUFBEWAHREN VON FRISCHEN LEBENSMITTELN UND GETRÄNKEN

Lebensmittel, die eine große Menge an Ethylengas abgeben (Äpfel, Aprikosen, Birnen, Pfirsiche, Avokado, Feigen, Pflaumen, Heidelbeeren, Melonen, Bohnen) und solche, die empfindlich darauf reagieren, wie Obst, Gemüse und Salat, müssen immer getrennt voneinander oder verpackt aufbewahrt werden, um die Lagerzeit nicht zu verkürzen; bewahren Sie zum Beispiel keine Tomaten mit Kiwi oder Kohl zusammen auf. Lagern Sie Lebensmittel nicht zu nah aneinander, um ausreichende Luftzirkulation zu ermöglichen. Wenn Sie es bevorzugen, Ihre Lebensmittel einzupacken, verwenden Sie hierfür bitte Behälter aus recyceltem Kunststoff, Metall, Aluminium und Glas sowie Frischhaltefolie.

Wenn Sie eine geringe Menge an Lebensmitteln im Kühlschrank aufbewahren möchten, empfehlen wir die Verwendung der Regale über dem Obst- und Gemüsefach, da es sich hierbei um den kältesten Bereich im Kühlschrankinneren handelt. Verwenden Sie stets verschlossene Behälter für Flüssigkeiten sowie für Lebensmittel, die zu Geruchsbildung führen oder hierdurch verderben können bzw. bei denen es zu Geschmacksübertragung kommen kann, oder decken Sie diese ab. Verwenden Sie den Flaschenhalter (modellabhängig erhältlich), um ein Umkippen von Flaschen zu vermeiden.



Zeichenerklärung

- TEMPERATUR BEREICH**
Empfohlen für die Lagerung von tropischen Früchten, Dosen, Getränken, Eiern, Saucen, eingelegtes Gemüse, Butter und Marmelade
- KÜHLER BEREICH**
Empfohlen für die Lagerung von Käse, Milch, Lebensmittel für den täglichen Verzehr, Delikatessen und Joghurt
- KÄLTESTER BEREICH**
Empfohlen für die Lagerung von Aufschnitt, Desserts, Fleisch und Fisch
- OBST- UND GEMÜSEFACH**

Die Beladegrenzen werden durch die jeweilige Konstruktion (Körbe, Behälter, Klappen, Schubladen, Regale usw.) oder durch natürliche Beladegrenzen bestimmt.

GEFRIERFACH LEBENSMITTELLAGERUNG

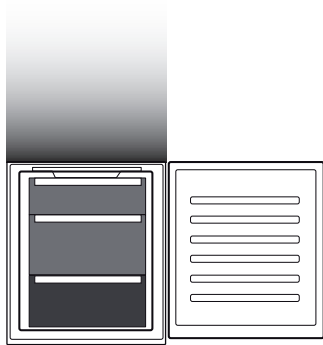
Das Gefrierfach ermöglicht eine langfristige Aufbewahrung von Tiefkühlkost und das Einfrieren frischer Lebensmittel. Die Menge an Lebensmitteln, die pro 24 Stunden eingefroren werden kann, ist auf dem Typenschild angegeben. Platzieren Sie frische Lebensmittel im Einfrierbereich des Gefrierfachs und lassen Sie dabei ausreichend Platz um die Verpackungen herum zur Luftzirkulation. Frieren Sie Lebensmittel nicht erneut ein, auch wenn sie nur teilweise angetaut sind. Die Lebensmittel müssen unbedingt auf eine Weise eingepackt sein, die das Eindringen von Wasser, Flüssigkeit oder Kondensation verhindert.

EISWÜRFEL

Füllen Sie die Eiswürfelbehälter zu 2/3 mit Wasser und stellen Sie diese in das Gefrierfach. Verwenden Sie unter keinen Umständen scharfe oder spitzen Werkzeuge, um das Eis zu lösen.

HERAUSNAHME DER SCHUBLADEN

Ziehen Sie die Schubladen soweit es geht nach außen, heben Sie diese an und nehmen Sie Schubladen heraus. Für mehr Stauraum kann das Gefrierfach ohne Schubladen verwendet werden. Stellen Sie sicher, dass die Tür richtig geschlossen ist, nachdem Sie die Lebensmittel zurück auf die Gitter/Ablageflächen gegeben haben.



Zeichenerklärung



SCHUBFÄCHER DES GEFRIERRAUMS



GEFRIERBEREICH-FACH

(Max Kühlbereich)

Empfohlen um frische/gekochte Lebensmittel einzufrieren

AUFBEWAHRUNGSZEITRAUM FÜR ZU HAUSE EINGEFRORENE LEBENSMITTEL

Lagerbereich

Monate	2-6	4-8	6-12
			
Speise			
			

ABTAUEN DES GEFRIERFACHS

1. Es wird empfohlen eine kältere Temperatur einzustellen oder die Funktion Schnell Einfrieren/Schnellkühlen mindestens vier Stunden vor Entnahme der Lebensmittel aus dem Gefrierfach einzuschalten, um die Haltbarkeit der Lebensmittel während des Abtauens zu verlängern.
2. Schalten Sie das Gerät zum Abtauen ab und entnehmen Sie die Schubladen. Platzieren Sie die gefrorenen Lebensmittel an einem kühlen Ort. Lassen Sie die Tür offen, damit der Reif abtauen kann. Es empfiehlt sich, saugfähige Tücher am Boden des Gefrierfachs zu platzieren, und regelmäßig auszuwringen, um ablaufendes Abtauwasser einzudämmen.
3. Reinigen Sie den Innenraum des Gefrierfachs und trocknen Sie es sorgfältig ab.
4. Schalten Sie das Gerät wieder ein und geben Sie die Lebensmittel zurück in das Gerät.

BETRIEBSGERÄUSCHE

1. Ein Summen durch den Kompressor ist normal während dem Betrieb.



2. Ein Gluckern und Knistern werden beim Durchgang des Kältemittelgases in den Kühlkreislauf erzeugt, es handelt sich um normale Geräusche.



3. Es kann vorkommen, dass ein Knistern gehört wird, wenn der Kompressor aktiv und inaktiv ist: Dies ist ein normales Geräusch der Produktstruktur.



4. Prüfen Sie, dass die Ablagen in der Kühlschrankschranktür, die Ablageflächen und Fächer in dem Kühlfach richtig befestigt und positioniert sind, um mögliche Vibrationen zu vermeiden.
5. Vermeiden Sie den direkten Kontakt von Glasbehältern (Flaschen, Gläsern, usw.) miteinander, um Vibrationen zu vermeiden.
6. Dieses Gerät ist mit einem Kompressor ausgestattet, der bei optimaler Geschwindigkeit arbeitet, um den Energieverbrauch zu verringern. Daher kann es vorkommen, dass unter bestimmten Situationen (im Sommer oder wenn große Mengen an Lebensmittel gelagert werden) der Kompressor die Geschwindigkeit erhöht und somit geräuschvoller als normal ist.

EMPFEHLUNGEN BEI NICHTGEBRAUCH DES GERÄTES

Bei Nichtgebrauch des Geräts

Trennen Sie die Spannungsversorgung des Geräts, entleeren Sie es, tauen Sie es ggf. ab und reinigen Sie es. Halten Sie die Türen leicht geöffnet, damit Luft hindurchströmen kann. Hierdurch verhindern Sie die Bildung von Schimmel und schlechten Gerüchen.

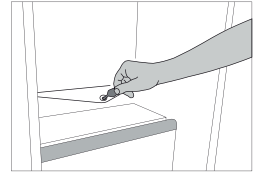
Bei einer Unterbrechung der Spannungsversorgung

Halten Sie die Türen geschlossen, damit die Lebensmittel so lange wie möglich kalt bleiben. Frieren Sie Lebensmittel nicht erneut ein, auch wenn sie nur teilweise angetaut sind. Bei einem längeren Stromausfall wird der Stromausfall-Alarm möglicherweise ebenfalls aktiviert (bei elektronischen Modellen).

REINIGUNG UND WARTUNG

Ziehen Sie vor Reinigungs- und Wartungsarbeiten den Netzstecker des Gerätes oder unterbrechen Sie die Stromversorgung.
Verwenden Sie niemals Scheuermittel. Reinigen Sie Kühlschrankteile niemals mit entflammaren Flüssigkeiten.
Verwenden Sie keine Dampfreiniger.
Tasten und Bedientafel dürfen nicht mit Alkohol oder alkoholischen Substanzen gereinigt werden.
Verwenden Sie nur ein trockenes Tuch.

Reinigen Sie das Gerät gelegentlich mit einem Tuch und einer Lösung aus warmem Wasser und speziellen Neutralreinigern zur internen Reinigung von Kühlschränken.
Für einen kontinuierlichen und korrekten Tauwasserablauf die Abflussöffnung an der Kühlraumrückwand in der Nähe des Obst- und Gemüsefachs mit dem mitgelieferten Werkzeug regelmäßig reinigen.



KÜHLSCHRANKLICHT

Für das Lichtsystem im Inneren des Kühlfachs werden LED-Leuchten verwendet. Diese ermöglichen eine bessere Lichtausbeute als herkömmliche Glühlampen bei sehr niedrigem Energieverbrauch. Wenden Sie sich an den technischen Kundendienst, wenn die Lampe ausgewechselt werden muss.

Wichtig: Beim Öffnen der Kühlschranktür schaltet sich die Innenbeleuchtung ein.

ABLAGEFLÄCHEN

Sämtliche Schubladen, Türablagen und Ablageflächen können entfernt werden.

TÜR

TÜRANSCHLAGWECHSEL

Hinweis: Die Öffnungsrichtung der Tür kann umgestellt werden. Falls dieser Vorgang nicht durch den Kundendienst durchgeführt wird, ist er nicht durch die Garantie abgedeckt. Befolgen Sie die Anweisungen im Kapitel **Installation**.

LÖSEN VON PROBLEMEN

Was tun, wenn...	Mögliche Ursachen	Abhilfe
Die Bedientafel ist ausgeschaltet, das Gerät funktioniert nicht.	Das Gerät kann ein Problem mit der Stromversorgung haben.	Überprüfen Sie: <ul style="list-style-type: none"> • dass kein Stromausfall vorliegt; • ob der Stecker richtig in die Steckdose eingesteckt ist und der zweipolige Hauptnetzschalter (falls vorhanden) sich in der richtigen Position befindet (dadurch wird die Stromversorgung des Geräts ermöglicht); • dass die Schutzvorrichtungen der elektrischen Anlage im Haushalt funktionieren; • dass das Netzkabel nicht beschädigt ist.
	Das Gerät befindet sich möglicherweise im Modus Ein/Stand-by.	Schalten Sie das Gerät ein, indem Sie kurz die Taste „Temp“ drücken (siehe Funktion On/Stand-by).
Die Innenbeleuchtung funktioniert nicht.	Die Lampe muss möglicherweise ersetzt werden. Störung eines technischen Bauteils.	Trennen Sie das Gerät von der Stromversorgung und wenden Sie sich für einen Ersatz an den technischen Kundendienst.
Die Innenleuchte blinkt.	Türalarm aktiv. Wenn die Tür des Kühlfachs längere Zeit offen steht, ist sie aktiviert.	Schließen Sie die Tür, um den Alarm abzuschalten. Prüfen Sie beim Öffnen der Tür, ob die Leuchte funktioniert.
Die Temperatur in den Fächern ist nicht niedrig genug.	Es können verschiedene Gründe vorliegen (siehe „Abhilfe“).	Überprüfen Sie: <ul style="list-style-type: none"> • dass die Türen richtig schließen; • ob das Gerät neben einer Wärmequelle aufgestellt wurde; • ob die eingestellte Temperatur ausreichend ist; • ob die Luftzirkulation nicht durch zugesetzte Belüftungsöffnungen am Boden des Geräts behindert ist (siehe Installationsabschnitt).
Wasser liegt auf dem Boden des Kühlraums.	Die Tauwasserabflussöffnung ist verstopft.	Reinigen Sie die Abflussöffnung (siehe Abschnitt „Reinigung und Wartung“).
Übermäßig viel Reif im Gefrierfach.	Die Tür des Gefrierfachs schließt nicht ordnungsgemäß.	<ul style="list-style-type: none"> • Prüfen Sie, ob etwas die Tür am ordnungsgemäßen Schließen hindert. • Entfrosteten Sie das Gefrierfach. • Stellen Sie sicher, dass das Gerät ordnungsgemäß aufgestellt wurde.
Die vordere Gerätekante in Höhe der Türdichtung ist warm.	Es liegt keine Störung vor. Hierdurch wird die Bildung von Kondenswasser verhindert.	Keine Gegenmaßnahme nötig.
Eines oder mehrere grüne Symbole blinken ständig und es ist nicht möglich, die eingestellte Temperatur zu ändern.	Störungsalarm. Dieser Alarm weist auf eine Störung in einem technischen Bauteil hin.	Den Technischen Kundendienst kontaktieren.
Die Temperatur des Gefrierfachs ist zu niedrig.	<ul style="list-style-type: none"> • Die eingestellte Temperatur ist zu niedrig. • Es wurde eine große Menge an Lebensmitteln im Gefrierfach eingelagert. 	<ul style="list-style-type: none"> • Versuchen Sie, eine nicht so kalte Temperatur einzustellen. • Falls frische Lebensmittel im Gefrierfach eingelagert wurden, warten Sie, bis diese völlig gefroren sind. • Schalten Sie das Gebläse (falls vorhanden) ab. Folgen Sie hierzu dem im Absatz „GEBLÄSE“ beschriebenen Verfahren.

WWW.FRANKE.COM

© Franke Technology and Trademark Ltd, Switzerland

SUPPORT

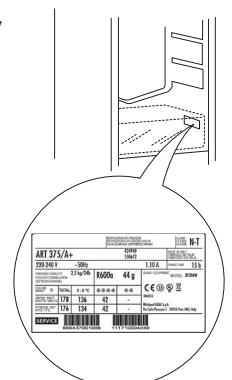
Bei Betriebsstörungen wenden Sie sich bitte an einen Franke Technischen Kundenservice.

Nehmen Sie nie die Dienste nicht autorisierter Techniker in Anspruch.

Sie benötigen dabei folgenden Angaben:

- Art des Fehlers
- Gerätemodell (Art./Code)
- Seriennummer (S.N.).

Wird unser Kundendienst kontaktiert, bitte die Codes auf dem Typenschild des Produkts angeben.



SOMMAIRE

APERÇU.....	24
Informations générales.....	24
Panneau de commande.....	24
FONCTIONNEMENT.....	25
Première utilisation.....	25
Compartiment du réfrigérateur et conservation des aliments	25
Comment conserver des aliments frais et des boissons	25
Compartiment du congélateur stockage des aliments	26
Temps de conservation pour les aliments maisons surgelés.....	26
Comment dégivrer le compartiment congélateur	26
Bruits fonctionnels.....	27
Recommandation si l'appareil n'est pas utilisé.....	27
NETTOYAGE ET ENTRETIEN.....	28
Éclairage du réfrigérateur	28
Clayette.....	28
Porte	28
GUIDE DE DÉPANNAGE	29
ASSISTANCE.....	30

GUIDE DE L'UTILISATEUR

APERÇU

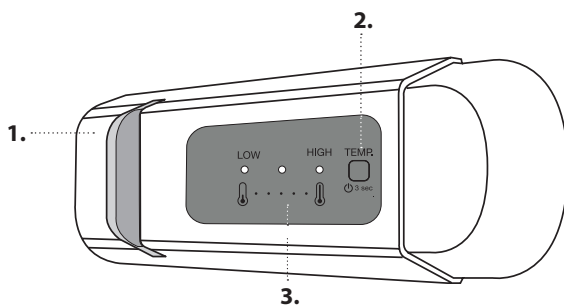
INFORMATIONS GÉNÉRALES

Les tiroirs, paniers et tablettes doivent rester dans leur position sauf spécification différente dans le présent guide rapide. Le système d'éclairage à l'intérieur du compartiment réfrigérateur utilise une ampoule LED, ce qui permet un meilleur éclairage ainsi qu'une consommation d'énergie plus faible.

MISE AU REBUT

Les portes et couvercles de l'appareil de réfrigération doivent être enlevés avant la mise au rebut à la décharge, afin d'éviter que des enfants ou des animaux ne soient piégés à l'intérieur.

PANNEAU DE COMMANDE




1. Éclairage à LED
2. Marche/Attente
3. Température des compartiments réfrigérateur et congélateur

MARCHE/VEILLE

Appuyez sur la touche pendant 3 secondes pour éteindre l'appareil. En mode Veille, le témoin dans le compartiment réfrigérateur ne s'allume pas. Appuyez de nouveau brièvement sur la touche pour réactiver l'appareil.

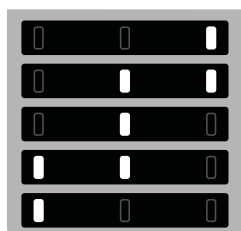
Remarque : Ceci ne coupe pas l'alimentation électrique de l'appareil.

TEMPÉRATURE DES COMPARTIMENTS RÉFRIGÉRATEUR ET CONGÉLATEUR

Les trois voyants à LED indiquent la température programmée du compartiment réfrigérateur. Il est possible de régler une température différente à l'aide de la touche .

Les réglages suivants sont possibles :

DEL allumées

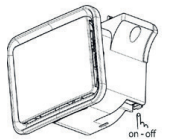


Température programmée

- Haute (moins froide)
- Moyenne-élevée
- Moyenne
- Moyenne-basse
- Basse (plus froide)

VENTILATEUR

Vous pouvez activer/désactiver le ventilateur en appuyant sur la touche à la base (comme indiqué sur la figure). Si la température ambiante excède 27 °C, ou si des gouttes d'eau sont présentes sur les clayettes en verre, le ventilateur doit impérativement être activé afin d'assurer la bonne conservation des aliments. La désactivation du ventilateur permet de réduire la consommation d'énergie.



CONGÉLATION D'ALIMENTS FRAIS

Placez les aliments à congeler dans la ZONE DE CONGÉLATION du compartiment congélateur en évitant le contact direct avec les aliments déjà congelés. Pour optimiser la vitesse de congélation, le tiroir inférieur peut être retiré et les aliments peuvent être placés directement au fond du compartiment. La quantité d'aliments frais pouvant être congelés en 12 et 24 heures est inscrite sur la plaque signalétique

Pour éviter une augmentation du gaspillage alimentaire, consultez les réglages et le temps de stockage recommandés dans le chapitre FONCTIONNEMENT

FONCTIONNEMENT

PREMIÈRE UTILISATION

Attendre au moins deux heures après l'installation avant de brancher l'appareil à l'alimentation électrique. Brancher le four à l'alimentation électrique démarre le fonctionnement automatiquement. Les températures idéales de stockage des aliments sont pré-réglées en usine.

Après avoir allumé l'appareil, vous devez patienter de 4 à 6 heures pour atteindre la température de conservation appropriée pour un appareil normalement rempli. Si le signal sonore retentit, cela signifie que l'alarme de température est intervenue : appuyez sur le bouton pour éteindre les alarmes sonores.

COMPARTIMENT DU RÉFRIGÉRATEUR ET CONSERVATION DES ALIMENTS

Le compartiment réfrigérateur permet la conservation d'aliments frais et de boissons. Le compartiment réfrigérateur au complet se dégivre automatiquement. La présence occasionnelle de gouttes d'eau sur la paroi arrière interne du compartiment est un signe que le dégivrage automatique fonctionne. L'eau de dégivrage est acheminée jusqu'au drain où elle est récupérée dans un récipient avant de s'évaporer.

Remarque : la température interne des deux compartiments est influencée par la température ambiante, la fréquence d'ouverture des portes, et l'endroit où l'appareil est situé. Réglez les températures en fonction de ces facteurs. Dans des conditions très humides, de la condensation peut se former dans le compartiment réfrigérateur, surtout sur les tablettes en verre. Dans ce cas, il est conseillé de fermer les récipients contenant du liquide (par ex. une casserole remplie de bouillon), emballez les aliments avec une teneur en eau élevée (par ex. les légumes) et activez le ventilateur, s'il y en a un. Tous les tiroirs, les balconnets et toutes les tablettes peuvent être retiré(e)s.

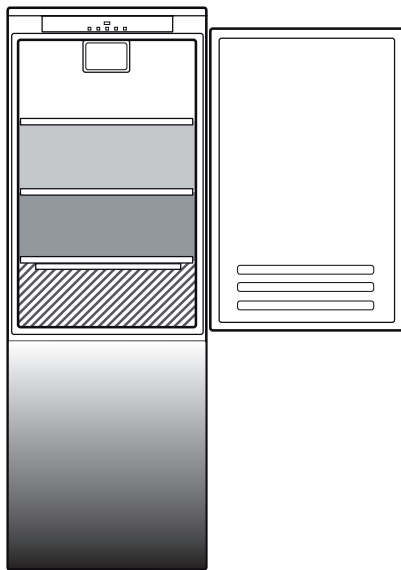
AÉRATION

L'air de ventilation permet une meilleure distribution de la température à l'intérieur des compartiments et, par conséquent, une meilleure conservation des aliments et une diminution du taux d'humidité. N'obstruez pas la zone d'aération.

COMMENT CONSERVER DES ALIMENTS FRAIS ET DES BOISSONS

Les aliments qui produisent une grande quantité de gaz éthylène (pommes, abricots, pêches, avocats, figues, prunes, bleuets, melons, fèves) et ceux qui ne réagissent pas bien à ce gaz (fruits, légumes, salades) devraient toujours être séparés ou emballés pour ne pas réduire leur durée de conservation ; par exemple, n'entrez pas les tomates près des kiwis ou les choux. Afin de permettre une circulation d'air suffisante, ne placez pas les aliments trop près les uns des autres. Utilisez des récipients en plastique, en métal, en aluminium, et en verre recyclable, et une pellicule autocollante pour envelopper les aliments.

Pour la conservation d'une petite quantité d'aliments dans le réfrigérateur, nous vous conseillons d'utiliser les clayettes situées au-dessus du bac à fruits et légumes car cette zone est la plus froide du compartiment. Utilisez toujours des récipients fermés pour les liquides et les aliments qui pourraient laisser échapper ou absorber des odeurs, ou couvrez-les. Afin d'éviter que les bouteilles ne tombent, vous pouvez utiliser le porte-bouteilles (disponible sur certains modèles).



Légende

	TEMPÉRATURE ZONE Recommandée pour la conservation des fruits tropicaux, conserves, boissons, œufs, sucres, marinades, beurre, confiture
	ZONE FROIDE Recommandée pour conserver le fromage, lait, produits laitiers, charcuterie, yogourt
	ZONE PLUS FROIDE Recommandée pour la conservation des viandes froides, des desserts, du poisson et de la viande
	BAC À FRUITS & LÉGUMES

Les limites de charge sont déterminées par la construction particulière (paniers, contenants, volets, tiroirs, tablettes, etc) ou les limites de charge sont déterminées par des limites de charge naturelles.

COMPARTIMENT DU CONGÉLATEUR STOCKAGE DES ALIMENTS

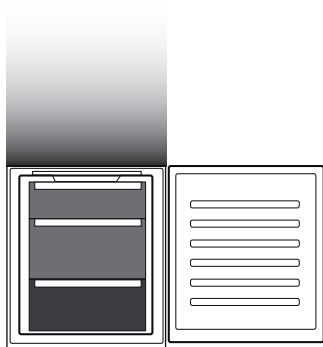
Le compartiment congélateur permet une conservation de longue durée d'aliments congelés et la congélation d'aliments frais. La quantité d'aliments frais pouvant être congelés en 24 heures est inscrite sur la plaque signalétique. Placer les aliments frais dans la zone de congélation du compartiment congélateur en laissant assez d'espace autour des emballages pour permettre à l'air de circuler librement. Il est conseillé de ne pas recongeler des aliments partiellement décongelés. Il est important d'emballer les aliments de façon à empêcher l'eau, l'humidité, ou la condensation de s'infiltrer.

CUBES DE GLACE

Remplir le bac à glaçons au 2/3 d'eau et le replacer dans le compartiment congélateur. N'utilisez jamais d'objets tranchants ou pointus pour enlever la glace.

ENLEVEZ LES TIROIRS

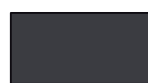
Tirez le bac vers vous le plus loin possible, soulevez-le et retirez-le. Pour obtenir un volume supérieur, le compartiment congélateur peut être utilisé sans tiroirs. Assurez-vous que la porte soit convenablement fermée après avoir remis la nourriture sur les grilles/étagères.



Légende



BACS DU CONGÉLATEUR



BAC DE LA ZONE CONGÉLATION

(Zone froid max)

Conseillé pour congeler des aliments frais/cuits

TEMPS DE CONSERVATION POUR LES ALIMENTS MAISONS SURGELÉS

Zone de stockage

Mois	2-6	4-8	6-12
Aliments			

COMMENT DÉGIVRER LE COMPARTIMENT CONGÉLATEUR

1. Il est conseillé de régler une température plus froide ou activer la Congélation rapide/Refroidissement rapide* au moins quatre heures avant d'enlever les aliments du compartiment congélateur pour augmenter la durée de conservation lors de la phase de dégivrage.
2. Pour dégivrer, éteignez l'appareil et enlevez les bacs. Placez les aliments surgelés dans un endroit frais. Laissez la porte ouverte pour faire fondre la glace. Pour éviter les dégâts l'eau pendant le dégivrage, il est conseillé de placer un chiffon absorbant au fond du compartiment congélateur et de l'essorer régulièrement.
3. Nettoyez l'intérieur du compartiment congélateur et séchez-le soigneusement.
4. Rallumez l'appareil et remplacez les aliments à l'intérieur.

BRUITS FONCTIONNELS

1. Lorsque l'appareil fonctionne, il est normal d'entendre un bourdonnement provenant du compresseur.



2. Des gargouillements ou des craquements se font entendre lors du passage du gaz réfrigérant à l'intérieur du circuit de refroidissement; ces bruits sont tout à fait normaux.



3. Vous pouvez aussi « entendre » des craquements lorsque le compresseur est actif et inactif : ce bruit, causé par la structure de l'appareil, est normal.



4. Assurez-vous que les porte-bouteilles suspendus, les tablettes et les bacs du compartiment réfrigérateur sont bien placés et fixés pour éliminer les vibrations.
5. Ne laissez pas les récipients de verre (bouteilles, pots, etc.) se toucher pour éliminer les vibrations.
6. Cet appareil est muni d'un compresseur qui fonctionne à une vitesse optimale pour réduire la consommation d'énergie. Il est donc possible que dans certaines situations (en été ou lorsque vous introduisez de grandes quantités d'aliments) que la vitesse du compresseur augmente et qu'il soit ainsi plus bruyant.

RECOMMANDATION SI L'APPAREIL N'EST PAS UTILISÉ

Si l'appareil n'est pas utilisé

Débranchez l'appareil, videz-le, dégivrez-le (si nécessaire), et nettoyez-le.

Laissez les portes entrouvertes pour permettre à l'air de circuler à l'intérieur des compartiments. Cela permettra d'éviter la formation de moisissure et l'apparition de mauvaises odeurs.

En cas de coupure de courant

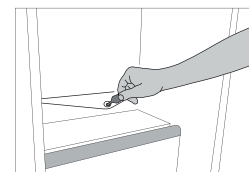
Laissez les portes fermées pour garder les aliments froids le plus longtemps possible. Ne recongelez pas les aliments partiellement décongelés. En cas de coupure de courant prolongée, l'alarme de coupure de courant peut aussi s'activer (sur les produits avec système de surveillance électronique).

NETTOYAGE ET ENTRETIEN

Avant d'effectuer les opérations d'entretien ou de nettoyage, débranchez l'appareil de la fiche d'alimentation secteur ou coupez l'alimentation électrique.
N'utilisez jamais d'agents abrasifs. Ne nettoyez jamais les accessoires du réfrigérateur avec des liquides inflammables.
N'utilisez pas de nettoyeur à vapeur.
Ne nettoyez pas les touches et l'affichage du bandeau de commande avec de l'alcool et des substances dérivées, mais avec un chiffon sec.

Nettoyez l'appareil à intervalle régulier avec un chiffon imbibé d'eau chaude et d'un nettoyant neutre pour le nettoyage intérieur des réfrigérateurs.

Pour assurer un débit constant et régulier de l'eau de dégivrage, nettoyez régulièrement l'intérieur du drain situé sur la paroi arrière du compartiment réfrigérateur, près du bac à fruits et légumes en utilisant l'outil fourni.



ÉCLAIRAGE DU RÉFRIGÉRATEUR

Le système d'éclairage à l'intérieur du compartiment réfrigérateur utilise une ampoule LED, ce qui permet un meilleur éclairage ainsi qu'une consommation d'énergie plus faible. Contactez le Service Après-Vente si une ampoule doit être remplacée.

Remarque importante : L'éclairage du compartiment réfrigérateur s'allume à l'ouverture de la porte.

CLAYETTE

Tous les tiroirs, les balconnets et toutes les tablettes peuvent être retiré(e)s.

PORTE

RÉVERSIBILITÉ DE LA PORTE

Remarque : Le sens d'ouverture des portes peut être modifié. Si cette opération n'est pas effectuée par le Service Après-Vente, elle n'est pas couverte par la garantie. Suivez les instructions figurant au chapitre **Installation**.

GUIDE DE DÉPANNAGE

Que faire si...	Causes possibles	Solutions
Le panneau de commandes est éteint, l'appareil ne fonctionne pas.	Il se peut que l'alimentation de l'appareil présente une anomalie.	Vérifiez si : <ul style="list-style-type: none"> • Il n'y a pas de coupure de courant. • La fiche est correctement insérée dans la prise de courant et que l'interrupteur bipolaire (le cas échéant) se trouve dans la bonne position (c.-à-d. qu'il permet à l'appareil d'être alimenté). • Les dispositifs de protection de l'installation électrique du foyer fonctionnent correctement. • Le câble d'alimentation n'est pas endommagé.
	L'appareil peut être en mode Marche/Attente.	Allumez l'appareil en appuyant brièvement sur la touche « Temp. » (voir la fonction Marche/Veille).
L'éclairage intérieur ne fonctionne pas.	L'ampoule doit peut-être être remplacée. Dysfonctionnement d'un composant électrique.	Débranchez l'appareil de l'alimentation électrique et contactez le Service d'assistance technique si vous avez besoin d'une ampoule de remplacement.
L'éclairage intérieur clignote.	Alarme de porte active. Elle s'active lorsque la porte du compartiment réfrigérateur reste ouverte pendant une durée prolongée.	Pour arrêter l'alarme, fermez la porte du réfrigérateur. Ouvrez de nouveau la porte pour vérifier que l'éclairage fonctionne.
La température à l'intérieur des compartiments n'est pas assez basse.	Plusieurs causes sont possibles (voir « Solutions »).	Vérifiez si : <ul style="list-style-type: none"> • Les portes ferment correctement. • L'appareil n'est pas installé près d'une source de chaleur. • La température programmée est adéquate. • Rien n'obstrue la circulation de l'air par les bouches situées en bas de l'appareil (voir la section sur l'installation).
De l'eau s'accumule au fond du compartiment réfrigérateur.	L'orifice de vidange d'eau de dégivrage est bloqué.	Nettoyer le drain de l'eau de dégivrage (voir la section « Nettoyage et entretien »).
Couche de glace excessive dans le compartiment congélateur.	La porte du compartiment congélateur ne se ferme pas correctement.	<ul style="list-style-type: none"> • Assurez-vous que rien n'empêche la porte de bien fermer. • Dégivrez le compartiment congélateur. • Vérifiez si l'appareil est bien installé.
Le pourtour frontal de l'appareil, au niveau du joint de porte, est chaud.	Ceci est tout à fait normal. Cela empêche la formation de condensation.	Aucune solution n'est requise.
Au moins un symbole vert clignote de façon continue et il est impossible de modifier la température programmée.	Alarme de dysfonctionnement. L'alarme indique le dysfonctionnement d'une composante électrique.	Contactez le Service d'assistance technique.
La température du compartiment réfrigérateur est trop froide.	<ul style="list-style-type: none"> • La température programmée est trop froide. • Une grande quantité d'aliments frais a été placée dans le compartiment congélateur. 	<ul style="list-style-type: none"> • Essayez d'augmenter la température. • Si des aliments frais ont été placés dans le compartiment congélateur, attendez qu'ils soient complètement congelés. • Éteignez le ventilateur (selon le modèle) à la fin de la procédure décrite dans le paragraphe « VENTILATEUR ».

WWW.FRANKE.COM

© Franke Technology and Trademark Ltd, Switzerland

ASSISTANCE

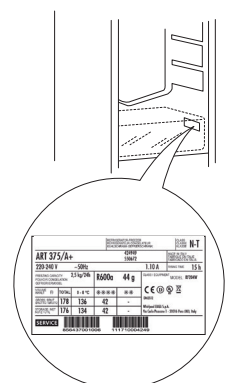
En cas de problèmes de fonctionnement, contactez un Centre de service après-vente Franke.

N'utilisez jamais les services de techniciens non-agrégés.

Communiquez :

- le type de panne
- le modèle d'appareil (art./Code)
- le numéro de série (S.N.).

Lorsque vous contactez notre service après-vente, indiquez les codes fournis sur la plaque signalétique de vos produits.



SOMMARIO

VISTA D'INSIEME	32
Informazioni generali	32
Pannello comandi	32
FUNZIONAMENTO	33
Primo utilizzo	33
Comparto frigorifero e conservazione degli alimenti	33
Come conservare alimenti e bevande freschi.....	33
Comparto congelatore per alimenti surgelati	34
Tempi di conservazione per gli alimenti congelati	34
Come sbrinare il comparto congelatore	34
Suoni funzionali.....	35
Raccomandazioni in caso di non utilizzo dell'apparecchio.....	35
PULIZIA E MANUTENZIONE	36
Luce frigorifero	36
Ripiani	36
Porta	36
RISOLUZIONE DEI PROBLEMI	37
ASSISTENZA	38

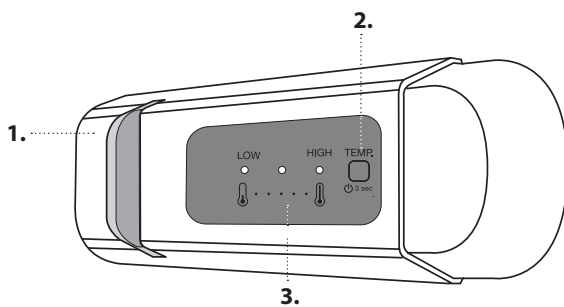
ISTRUZIONI PER L'USO

VISTA D'INSIEME

INFORMAZIONI GENERALI

Se non specificato diversamente in questa guida rapida, cassetti, cestelli e ripiani devono restare nella posizione attuale. L'illuminazione interna del comparto frigorifero utilizza lampadine a LED, caratterizzate da un'illuminazione più intensa rispetto alle lampadine tradizionali e da un consumo energetico molto basso.

PANNELLO COMANDI



1. Luce LED
2. On/Stand-by
3. Temperatura dei compartimenti congelatore e frigorifero

ON/STAND-BY
Premere il tasto per 3 secondi per disattivare l'apparecchio. Quando l'apparecchio è in standby, la luce del comparto frigorifero non si accende. Premere brevemente per riattivarlo.

Nota: questa operazione non scollega l'apparecchio dall'alimentazione elettrica.

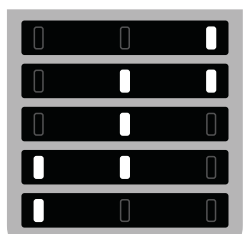
TEMPERATURA DEI COMPARTI CONGELATORE E FRIGORIFERO

Le tre spie indicano la temperatura impostata nel comparto frigorifero.

È possibile impostare una temperatura differente usando il tasto

Le regolazioni possibili sono le seguenti:

LED illuminati



Temperatura impostata

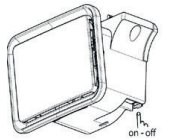
- Alta (meno fredda)
- Medio-alta
- Moderatamente dolce
- Medio-bassa
- Bassa (più fredda)

SMALTIMENTO

Porte e coperchi devono essere rimossi dall'apparecchio refrigerante prima dello smaltimento in discarica, per evitare il rischio che bambini e animali vi rimangano intrappolati.

VENTILAZIONE

È possibile attivare/disattivare la ventola premendo il tasto posto sulla base (come in figura). Se la temperatura ambiente supera i 27°C, o se sono presenti gocce d'acqua sui ripiani in vetro, è essenziale che la ventola sia attiva per assicurare la corretta conservazione degli alimenti. La disattivazione della ventola consente di ottimizzare il consumo di energia.



CONGELAMENTO DI ALIMENTI FRESCHI

Disporre gli alimenti freschi da congelare nella ZONA CONGELAMENTO del comparto congelatore, evitando il contatto diretto con gli alimenti già congelati. Per ottimizzare la velocità di congelamento, è possibile rimuovere il cassetto inferiore e collocare gli alimenti direttamente sul fondo del comparto. La quantità di alimenti freschi che è possibile congelare in 12 e 24 ore è riportata sulla targhetta matricola

Per evitare un incremento degli scarti alimentari, consultare le impostazioni e i tempi di conservazione consigliati nel capitolo FUNZIONAMENTO

FUNZIONAMENTO

PRIMO UTILIZZO

Dopo l'installazione, attendere almeno due ore prima di collegare l'apparecchio alla rete elettrica. Una volta collegato alla rete di alimentazione, l'apparecchio si avvia automaticamente. Le temperature di conservazione ideali per gli alimenti sono preimpostate in fabbrica.

Dopo la messa in funzione, attendere 4-6 ore prima che venga raggiunta la temperatura di conservazione adeguata per un carico normale dell'apparecchio. Se viene emesso il segnale acustico, significa che è intervenuto l'allarme di temperatura: premere il tasto per disattivare l'allarme acustico.

COMPARTO FRIGORIFERO E CONSERVAZIONE DEGLI ALIMENTI

Il comparto frigorifero consente la conservazione di alimenti freschi e bevande. Lo sbrinamento del comparto frigorifero è completamente automatico. La presenza periodica di goccioline d'acqua sulla parete posteriore interna del comparto evidenzia la fase di sbrinamento automatico. L'acqua di sbrinamento viene convogliata in un foro di scarico, quindi raccolta in un contenitore ove evapora.

Nota: la temperatura ambiente, la frequenza di apertura delle porte e la posizione dell'apparecchio possono influenzare le temperature interne dei due compartimenti. Impostare le temperature in funzione di questi fattori. In condizioni di forte umidità, nel comparto frigorifero e specialmente sui ripiani in vetro si può formare della condensa. In tal caso si consiglia di chiudere i contenitori con all'interno dei liquidi (esempio: pentole di brodo), confezionare gli alimenti ad elevato contenuto di umidità (esempio: verdure) e accendere la ventola, se presente. È possibile rimuovere i cassetti, i balconcini e i ripiani.

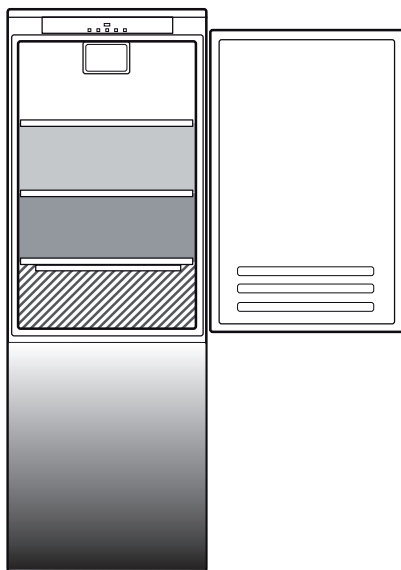
VENTILAZIONE

La ventilazione rende più uniforme la distribuzione delle temperature all'interno del comparto, migliorando la conservazione degli alimenti e riducendo l'umidità in eccesso. Non ostruire la zona di ventilazione.

COME CONSERVARE ALIMENTI E BEVANDE FRESCHI

Gli alimenti che emanano grandi quantità di etilene (mele, albicocche, pere, pesche, avocado, fichi, prugne, mirtilli, meloni, fagioli) o che sono sensibili a questo gas, come frutta, verdura e insalate, dovrebbero essere separati o avvolti per favorirne una conservazione più lunga; ad esempio, non conservare i pomodori insieme a cavoli o kiwi. Non disporre gli alimenti a distanza troppo ravvicinata, in modo da consentire una sufficiente circolazione dell'aria. Utilizzare contenitori di metallo, alluminio, vetro e plastica riciclabile e avvolgere gli alimenti con una pellicola trasparente.

Se gli alimenti da conservare nel frigorifero occupano solo una parte dello spazio disponibile, si consiglia di utilizzare i ripiani sopra il cassetto frutta e verdura in quanto è la zona più fredda del comparto. Utilizzare sempre contenitori chiusi per i liquidi e per gli alimenti che potrebbero emettere odori o essere contaminati da odori o aromi. Per evitare la caduta delle bottiglie, usare l'apposito accessorio di tenuta (disponibile in alcuni modelli).




Legenda

-  **ZONA TEMPERATA**
Consigliata per conservare frutta tropicale, lattine, bevande, uova, salse, sottaceti, burro, conserve
-  **ZONA FREDDA**
Consigliata per conservare formaggio, latte, latticini, piatti pronti, yogurt
-  **ZONA PIÙ FREDDA**
Consigliata per la conservazione di affettati, dessert, pesce e carne
-  **CASSETTO FRUTTA E VERDURA**

I limiti di carico dipendono dalla costruzione dell'apparecchio (cestelli, contenitori, antine, cassetti, ripiani, ecc.), o dalla capienza massima.

COMPARTO CONGELATORE PER ALIMENTI SURGELATI

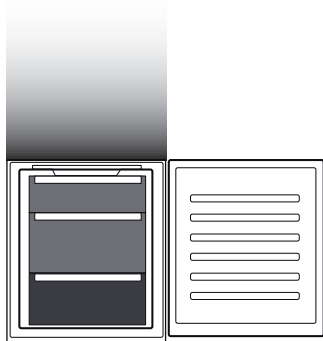
Il comparto congelatore  è adatto per la conservazione a lungo termine dei surgelati e per il congelamento di alimenti freschi. La quantità degli alimenti freschi che è possibile congelare in 24 ore è riportata sulla targhetta matricola. Sistemare gli alimenti freschi nella zona di congelamento del comparto congelatore, lasciando sufficiente spazio attorno alle confezioni per consentire la libera circolazione dell'aria. È consigliabile non ricongelare gli alimenti parzialmente scongelati. È importante avvolgere gli alimenti in modo da evitare l'ingresso di acqua, umidità o condensa.

CUBETTI DI GHIACCIO

Riempire d'acqua per 2/3 la vaschetta del ghiaccio e riporla nel comparto congelatore. In nessun caso utilizzare oggetti appuntiti o taglienti per rimuovere il ghiaccio.

RIMOZIONE DEI CASSETTI

Tirare i cassetti verso l'esterno fino a fondo corsa, sollevarli leggermente ed estrarli. Per aumentare il volume disponibile, il comparto congelatore può essere utilizzato senza i cassetti. Verificare che, dopo avere riposto gli alimenti sulle griglie e sui ripiani, la porta si chiuda correttamente.



Legenda



CASSETTI CONGELATORE








CASSETTO ZONA CONGELAMENTO

(zona di massimo freddo)

Consigliata per il congelamento di alimenti freschi o già cotti

TEMPI DI CONSERVAZIONE PER GLI ALIMENTI CONGELATI

Zona di conservazione

Mesi	2-6	4-8	6-12
			
Alimento			
			

COME SBRINARE IL COMPARTO CONGELATORE

1. Per prolungare la durata di conservazione degli alimenti durante lo sbrinamento, è consigliabile impostare una temperatura più fredda o attivare la funzione di congelamento/raffreddamento rapido* almeno quattro ore prima di estrarre gli alimenti dal comparto.
2. Per sbrinare, disattivare l'apparecchio e rimuovere i cassetti. Riporre gli alimenti congelati in un luogo fresco. Lasciare aperta la porta per permettere lo scioglimento della brina. Per evitare fuoriuscite di acqua durante lo sbrinamento, si consiglia di posizionare un panno assorbente sul fondo del comparto congelatore e di strizzarlo regolarmente.
3. Pulire l'interno del comparto congelatore e asciugare con cura.
4. Riattivare l'apparecchio e riposizionare gli alimenti all'interno.

SUONI FUNZIONALI

1. Durante il funzionamento del prodotto è normale che il compressore emetta un ronzio.



2. Il passaggio del gas refrigerante nel circuito di raffreddamento genera gorgoglii e crepitii, che sono perciò da considerare normali.



3. È possibile "sentire" dei cigolii quando il compressore si attiva o si disattiva: questi rumori sono normali e sono dovuti alla struttura del prodotto.



4. Controllare che i balconcini della porta, i ripiani e i cassetti del comparto frigorifero siano posizionati e fissati correttamente, per evitare possibili vibrazioni.
5. Non disporre recipienti di vetro (bottiglie, vasetti, ecc.) a contatto diretto tra loro, per evitare vibrazioni.
6. Questo dispositivo è dotato di un compressore che opera a una velocità ottimale per ridurre al minimo il consumo di energia. In alcune situazioni (in estate o quando vengono introdotte grandi quantità di alimenti), è possibile che il compressore operi a una velocità più elevata e risulti perciò più rumoroso del solito.

RACCOMANDAZIONI IN CASO DI NON UTILIZZO DELL'APPARECCHIO

In caso di non utilizzo dell'apparecchio

Scollegare l'apparecchio dall'alimentazione elettrica, svuotarlo, sbrinarlo (se necessario) e pulirlo.

Mantenere leggermente socchiuse le porte tanto da far circolare l'aria all'interno dei compartimenti. In tal modo si evita la formazione di muffa e cattivi odori.

In caso di interruzioni di corrente

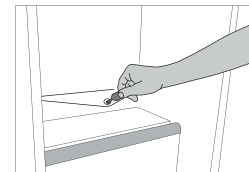
Tenere chiuse le porte, in tal modo gli alimenti rimarranno freddi il più a lungo possibile. Non ricongelare gli alimenti parzialmente scongelati. In caso di interruzione prolungata potrebbe attivarsi anche l'allarme black-out (nei prodotti con elettronica).

PULIZIA E MANUTENZIONE

Prima di eseguire qualsiasi operazione di manutenzione o pulizia, disinserire la spina dalla presa di corrente o scollegare l'apparecchio dall'alimentazione elettrica.
Non utilizzare prodotti abrasivi. Non pulire i componenti del frigorifero con liquidi infiammabili.
Non utilizzare pulitrici a getto di vapore.
Non pulire i tasti e il display del pannello comandi con alcool o sostanze da esso derivate, ma sempre con un panno asciutto.

Pulire periodicamente l'apparecchio utilizzando un panno ed una soluzione di acqua tiepida e detersivi neutri specifici per la pulizia interna del frigorifero.

Per garantire il deflusso costante e corretto dell'acqua di sbrinamento, pulire regolarmente l'interno del foro di scarico situato sulla parete posteriore del comparto frigorifero, vicino al cassetto frutta e verdura, usando l'utensile in dotazione.



LUCE FRIGORIFERO

L'illuminazione interna del comparto frigorifero utilizza lampadine a LED, caratterizzate da un'illuminazione più intensa rispetto alle lampadine tradizionali e da un consumo energetico molto basso. Per richiedere i pezzi di ricambio, rivolgersi al Servizio Assistenza.

Importante: la luce del comparto frigorifero si accende quando si apre la porta del frigorifero.

RIPIANI

è possibile rimuovere i cassetti, i balconcini e i ripiani.

PORTA

REVERSIBILITÀ PORTA

Nota: La direzione di apertura della porta può essere modificata. Questa operazione è coperta da garanzia solo se viene eseguita dal Servizio Assistenza. Seguire le istruzioni fornite nel capitolo **Installazione**.

RISOLUZIONE DEI PROBLEMI

Cosa fare se...	Possibili cause	Soluzioni
Il pannello comandi è spento, l'apparecchio non funziona.	Può essere presente un problema di alimentazione dell'apparecchio.	Controllare che: <ul style="list-style-type: none"> • non vi sia un'interruzione di corrente; • la spina sia ben inserita nella presa di corrente e l'interruttore bipolare della rete di alimentazione (se presente) si trovi nella posizione corretta (ovvero consenta l'alimentazione dell'apparecchio); • le protezioni dell'impianto elettrico domestico siano funzionanti; • il cavo di alimentazione non sia danneggiato.
	L'apparecchio potrebbe essere nella modalità stand by.	Accendere l'apparecchio premendo brevemente il tasto "Temp." (vedi funzione On/Standby).
La luce interna non funziona.	Può essere necessario sostituire la lampadina. Malfunzionamento di un componente tecnico.	Scollegare l'apparecchio dalla rete elettrica e rivolgersi al Servizio Assistenza per richiedere i ricambi necessari.
La luce interna lampeggia.	Allarme porta attivo. Viene attivato quando la porta del reparto frigorifero rimane aperta per un periodo prolungato di tempo.	Per rimuoverlo chiudere la porta del frigorifero. Alla riapertura della porta verificare il funzionamento della luce.
La temperatura all'interno dei compartimenti non è sufficientemente fredda.	Le cause possono essere diverse (vedere "Soluzioni").	Controllare che: <ul style="list-style-type: none"> • le porte si chiudano correttamente; • l'apparecchio non sia installato in prossimità di una fonte di calore; • la temperatura impostata sia adeguata; • la circolazione dell'aria di ventilazione alla base dell'apparecchio non sia ostruita (vedere la sezione relativa all'installazione).
È presente acqua sul fondo del comparto frigorifero.	Lo scarico dell'acqua di sbrinamento è bloccato.	Pulire lo scarico dell'acqua di sbrinamento (vedere la sezione "Pulizia e manutenzione").
Presenza eccessiva di brina nel comparto congelatore.	La porta del comparto congelatore non si chiude correttamente.	<ul style="list-style-type: none"> • Verificare che non vi sia nulla che impedisca la corretta chiusura della porta. • Sbrinare il comparto congelatore. • Verificare che l'apparecchio sia stato installato correttamente.
Il lato anteriore dell'apparecchio, in corrispondenza della guarnizione della porta, è molto caldo.	Non si tratta di un difetto. Impedisce la formazione della condensa.	Non è necessaria alcuna soluzione.
Una o più spie verdi lampeggiano in modo continuo e non è possibile modificare la temperatura impostata.	Allarme malfunzionamento. L'allarme indica un malfunzionamento di un componente tecnico.	Contattare l'assistenza tecnica.
La temperatura del comparto frigorifero è eccessivamente fredda.	<ul style="list-style-type: none"> • La temperatura impostata è troppo fredda. • È possibile che sia stata introdotta una grande quantità di alimenti freschi nel comparto congelatore. 	<ul style="list-style-type: none"> • Provare a impostare una temperatura meno fredda. • Se sono stati inseriti alimenti freschi nel comparto congelatore, attendere che si congelino completamente. • Spegnerne la ventola (se presente) seguendo la procedura descritta al paragrafo "VENTOLA".

WWW.FRANKE.COM

© Franke Technology and Trademark Ltd, Switzerland

ASSISTENZA

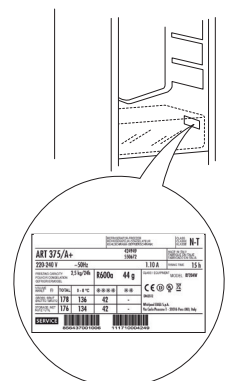
In caso di problemi di funzionamento, contattare un Centro Assistenza Tecnica Franke.

Non rivolgersi a tecnici non autorizzati.

Comunicare:

- il tipo di difetto
- il modello di apparecchio (codice art.)
- il numero di serie (S.N.).

Quando si contatta il Centro Assistenza, comunicare i codici presenti sulla targhetta matricola del prodotto.



ÍNDICE

DESCRIPCIÓN GENERAL	40
Información general	40
Panel de control	40
FUNCIONAMIENTO.....	41
Primer uso	41
Compartimento del frigorífico y conservación de alimentos	41
Cómo almacenar alimentos frescos y bebidas	41
Conservación de alimentos en el compartimento del congelador	42
Tiempo de conservación de alimentos congelados.....	42
Cómo descongelar el compartimento del congelador	42
Sonidos funcionales	43
Recomendación en caso de falta de uso del aparato	43
LIMPIEZA Y MANTENIMIENTO	44
Luz del frigorífico	44
Estantes.....	44
Puerta.....	44
RESOLUCIÓN DE PROBLEMAS	45
ASISTENCIA	46

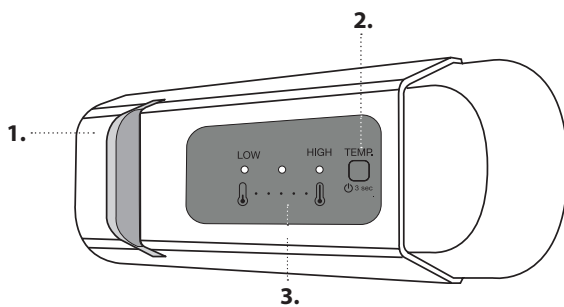
GUÍA DEL USUARIO

DESCRIPCIÓN GENERAL

INFORMACIÓN GENERAL

Los cajones, cestas y estantes deben permanecer en su sitio a menos que se especifique lo contrario en esta guía rápida. El sistema de iluminación del interior del compartimento del frigorífico emplea luces led, lo que permite una mejor iluminación y un consumo energético muy bajo.

PANEL DE CONTROL



ELIMINACIÓN

Las puertas y tapas del aparato de refrigeración deben retirarse antes de desecharse, para evitar que niños o animales queden atrapados dentro.

1. Luz LED
2. Encendido/En espera
3. Temperatura del compartimento frigorífico y congelador

ENCENDIDO / EN ESPERA

Pulse el botón durante 3 segundos para desconectar el aparato. En el modo En espera, la luz en el compartimento frigorífico no se enciende. Vuelva a pulsar el botón brevemente para volver a activar el aparato.

Nota: este procedimiento no desconecta el aparato de la red eléctrica.

TEMPERATURA DEL COMPARTIMENTO FRIGORÍFICO Y CONGELADOR

Los tres indicadores LED indican la temperatura seleccionada del compartimento frigorífico. Es posible establecer una temperatura distinta del aparato con el botón . Están disponibles los siguientes ajustes:

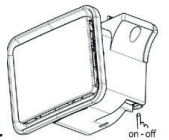
Ledes encendidos Seleccionar la temperatura

	Alta (menos fría)
	Media-alta
	Media
	Media-baja
	Baja (más fría)

Debajo de la tabla hay dos iconos de termómetros que indican la escala de temperatura.

VENTILADOR

El ventilador puede encenderse/apagarse mediante el botón de la base (como se indica en la figura). Si la temperatura ambiente supera los 27 °C o si aparecen gotas de agua en los estantes de cristal, es muy importante que el ventilador esté encendido para garantizar la buena conservación de los alimentos. Desactivar el ventilador permite optimizar el consumo de energía.



CONGELACIÓN DE ALIMENTOS FRESCOS

Coloque los alimentos frescos que desee congelar en la ZONA DE CONGELACIÓN del compartimento congelador evitando que entren en contacto directo con alimentos ya congelados. Para optimizar la velocidad de congelación, se puede extraer el cajón inferior y colocar los alimentos directamente en la parte inferior del compartimento. La cantidad de alimentos frescos que es posible congelar en 12 y 24 horas se indica en la placa de características

Para evitar un aumento del desperdicio de alimentos, consulte la configuración recomendada y el Tiempo de Conservación en el apartado OPERACIÓN

FUNCIONAMIENTO

PRIMER USO

Espere como mínimo dos horas tras la instalación para conectar el aparato al suministro eléctrico. El aparato se pondrá en marcha automáticamente al conectarlo al suministro eléctrico. Las temperaturas ideales para almacenar alimentos se pre-establecen en fábrica.

Después de activar el aparato, es necesario esperar 4-6 horas para que pueda alcanzarse la temperatura de conservación correcta para un aparato con carga normal. Si suena una señal acústica, significa que se ha activado la alarma de temperatura: pulse el botón para apagar las alarmas acústicas.

COMPARTIMENTO DEL FRIGORÍFICO Y CONSERVACIÓN DE ALIMENTOS

El compartimento frigorífico permite conservar alimentos frescos y bebidas. La descongelación del compartimento frigorífico es totalmente automática. La presencia ocasional de gotas de agua en la pared posterior interna del compartimento indica que se está produciendo la fase de descongelación automática. El agua de descongelación pasa a un orificio de desagüe y después a un recipiente, donde se evapora.

Nota: la temperatura ambiente, la frecuencia con la que se abran las puertas y la ubicación del aparato pueden afectar a las temperaturas internas de los dos compartimentos. Programe las temperaturas teniendo en cuenta estos factores. En condiciones muy húmedas se puede formar condensación en el compartimento frigorífico, especialmente en los estantes de cristal. En este caso, se recomienda cerrar los recipientes que contengan líquidos (p. ej. ollas con caldo), envolver los alimentos con alto contenido en humedad (p. ej. verduras) y conectar el ventilador, si está disponible. Todos los cajones, los estantes de la puerta y los estantes pueden extraerse.

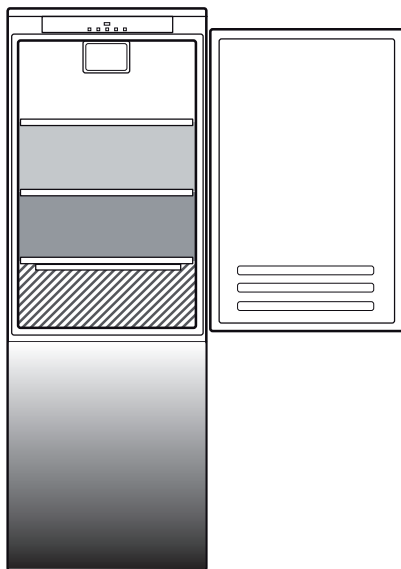
VENTILACIÓN DE AIRE

El aire de la ventilación permite una mejor distribución de las temperaturas en el interior de los compartimentos y, por tanto, conservar mejor los alimentos y reducir el exceso de humedad. No obstruya la zona de ventilación.

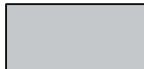
CÓMO ALMACENAR ALIMENTOS FRESCOS Y BEBIDAS

Los alimentos que desprenden mucho gas etileno (manzanas, albaricoques, peras, melocotones, aguacates, higos, ciruelas, arándanos, melones o judías) y aquellos que son sensibles a este gas, como las frutas y verduras o la lechuga, deben conservarse siempre en compartimentos separados o envolverse para no reducir su tiempo de conservación; Por ejemplo, no debe conservar los tomates junto con los kiwis o la col. No coloque los alimentos muy juntos para permitir una adecuada circulación de aire. Utilice recipientes reciclables de plástico, metal, aluminio y cristal o film transparente para envolver los alimentos.

Si tiene que almacenar poca cantidad de alimentos en el frigorífico, recomendamos utilizar los estantes de encima del cajón para frutas y verduras ya que es la parte del compartimento mejor refrigerada. Utilice siempre contenedores con tapa para líquidos y alimentos que puedan desprender o tomar olor o sabor de otros alimentos o cúbralos. Para evitar que se vuelquen las botellas, puede utilizar soporte para botellas (disponibles en algunos modelos).




Leyenda

-  **ZONA DE TEMPERATURA**
Recomendada para la conservación de frutas tropicales, latas, bebidas, huevos, salsas, encurtidos, mantequilla, mermelada
-  **ZONA FRÍA**
Recomendada para la conservación de queso, leche, productos lácteos, delicatessen, yogures
-  **ZONA MÁS FRÍA**
Recomendada para la conservación de fiambre, postres, carne y pescado
-  **CAJÓN PARA FRUTAS Y VERDURAS**

Los límites de carga están determinados por la disposición particular (cestas, recipientes, solapas, cajones, estantes, etc.), o los límites de carga están determinados por los límites de carga natural.

CONSERVACIÓN DE ALIMENTOS EN EL COMPARTIMENTO DEL CONGELADOR

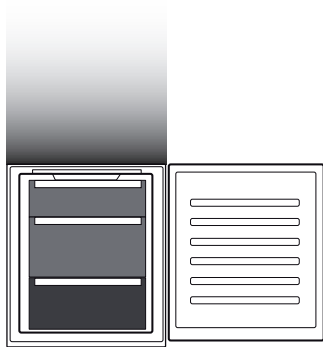
El compartimento del congelador  permite almacenar alimentos congelados durante largos periodos de tiempo y congelar alimentos frescos. La cantidad de alimentos frescos que es posible congelar en 24 horas se indica en la placa de características. Coloque los alimentos frescos que desee congelar en la zona de congelación del compartimento del congelador dejando suficiente espacio alrededor de los alimentos para que el aire circule libremente. Se aconseja no volver a congelar los alimentos que se hayan descongelado parcialmente. Es importante envolver bien los alimentos para que no pueda pasar agua, humedad o condensación.

CUBITOS DE HIELO

Llene con agua 2/3 de la bandeja para hielo y vuelva a colocarla en el compartimento del congelador. No utilice objetos puntiagudos o cortantes para sacar el hielo bajo ninguna circunstancia.

CÓMO EXTRAER LOS CAJONES

Tire de los cajones hacia fuera todo lo posible, levántelos y extráigalos. Para obtener más volumen, el compartimento del congelador se puede usar sin los cajones. Asegúrese de que la puerta esté bien cerrada una vez colocados los alimentos en las rejillas o los estantes.



Leyenda



CAJONES DEL CONGELADOR



CAJÓN DE LA ZONA DE CONGELACIÓN
(Zona frío máx.)
Recomendada para congelar alimentos frescos/cocinados

TIEMPO DE CONSERVACIÓN DE ALIMENTOS CONGELADOS

Zona de tienda

Meses	2-6	4-8	6-12
			
Alimentos			
			

CÓMO DESCONGELAR EL COMPARTIMENTO DEL CONGELADOR

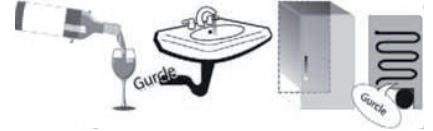
1. Es recomendable ajustar una temperatura más baja o activar la función de Congelación rápida/ Enfriamiento rápido* al menos cuatro horas antes de retirar los alimentos del compartimento congelador para extender la conservación de los alimentos durante la fase de descongelación.
2. Para descongelar, desconecte el aparato y extraiga los cajones. Coloque los alimentos congelados en un lugar frío. Deje la puerta abierta para que se derrita la escarcha. Para evitar que pueda salir agua durante la descongelación, se aconseja colocar un paño absorbente en la parte inferior del compartimento del congelador y escurrirlo regularmente.
3. Limpie el interior del compartimento del congelador y séquelo cuidadosamente.
4. Vuelva a conectar el aparato y a colocar los alimentos en el interior.

SONIDOS FUNCIONALES

1. Es normal que el compresor emita un zumbido mientras el producto está en funcionamiento.



2. Los gorgoteos y crujidos los provoca el paso del gas refrigerante por el interior del circuito de refrigeración, por lo que se trata de sonidos normales.



3. Es posible "oír" chirridos cuando el compresor está activo e inactivo: es un sonido normal en la estructura del producto.



4. Compruebe que los estantes del interior de la puerta del frigorífico y los estantes y cajones del compartimento frigorífico están correctamente fijados y colocados para evitar posibles vibraciones.
5. No coloque recipientes de vidrio (botellas, tarros, etc.) en contacto directo entre ellos para evitar vibraciones.
6. Este dispositivo está equipado con un compresor que funciona a una velocidad óptima para minimizar el consumo de energía. Por lo tanto, puede suceder que en ciertas situaciones (en verano o si se introducen grandes cantidades de alimentos) el compresor aumente la velocidad y, como consecuencia, sea más ruidoso de lo habitual.

RECOMENDACIÓN EN CASO DE FALTA DE USO DEL APARATO

Si el aparato no se utiliza

Desenchufe el aparato de la alimentación eléctrica, vacíelo, descongélelo (en caso necesario) y límpielo. Mantenga las puertas ligeramente abiertas para que el aire pueda circular entre los compartimentos. De este modo se evitará la formación de moho y malos olores.

En caso de interrupciones de corriente

Mantenga las puertas cerradas para que los alimentos se mantengan fríos el mayor tiempo posible. No vuelva a congelar alimentos parcialmente descongelados. Si se produce un corte de alimentación prolongado, es posible que también se active la alarma de corte del suministro eléctrico (en productos con sistemas electrónicos).

LIMPIEZA Y MANTENIMIENTO

Antes de realizar cualquier tarea de limpieza o mantenimiento, desenchufe el aparato de la red eléctrica o desconecte la alimentación.

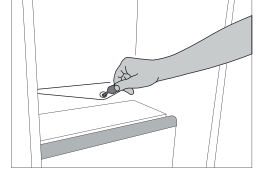
No utilice nunca productos abrasivos. No limpie los componentes del frigorífico con líquidos inflamables.

No utilice aparatos de limpieza con vapor.

Los botones y la pantalla del panel de control no deben limpiarse con alcohol ni con sustancias derivadas del alcohol, sino con un paño seco.

Limpe el aparato de forma ocasional con un paño y una solución de agua tibia y detergentes neutros específicos para la limpieza del interior del frigorífico.

Para garantizar un flujo constante y correcto del agua de descongelación, limpie con regularidad el interior del desagüe situado en la pared posterior del compartimento frigorífico que se encuentra junto al cajón para frutas y verduras con el utensilio incluido a estos efectos.



LUZ DEL FRIGORÍFICO

El sistema de iluminación del interior del compartimento del frigorífico emplea luces led, lo que permite una mejor iluminación y un consumo energético muy bajo. Póngase en contacto con el Servicio de Asistencia Técnica si necesita sustituirlas.

Importante: La luz del compartimento frigorífico se enciende cuando se abre la puerta del frigorífico.

ESTANTES

Todos los cajones, los estantes de la puerta y los estantes pueden extraerse.

PUERTA

REVERSIBILIDAD DE LA PUERTA

Nota: El sentido de apertura de la puerta se puede cambiar. Si esta operación no la realiza el Servicio Postventa y no está cubierta por la garantía. Siga las instrucciones del apartado de **Instalación**.

RESOLUCIÓN DE PROBLEMAS

Qué hacer si...	Posibles razones	Soluciones
El panel de control está desconectado, el aparato no funciona.	Es posible que se haya producido un problema de alimentación eléctrica.	Compruebe que: <ul style="list-style-type: none"> • no haya un fallo de corriente; • el enchufe esté bien introducido en la toma y el interruptor bipolar de la toma eléctrica (si procede) esté bien colocado (es decir, permita que el aparato reciba alimentación); • los dispositivos de protección del sistema eléctrico doméstico funcionen correctamente; • el cable de alimentación no esté dañado.
	El aparato debe estar en modo Encendido/En espera.	Conecte el aparato pulsando brevemente el botón «Temp.» (consulte la función Encendido/En espera).
La luz interior no funciona.	Podría ser necesario sustituir la bombilla. Anomalía de un componente técnico.	Si necesita sustituirla, desconecte el aparato del suministro eléctrico y póngase en contacto con el Servicio de asistencia técnica.
La luz interior parpadea.	Alarma de la puerta activa. Se activa si la puerta del compartimento frigorífico permanece abierta durante un periodo de tiempo prolongado.	Para parar la alarma, cierre la puerta del frigorífico. Al volver a abrir la puerta, compruebe que la luz funcione.
La temperatura en interior de los compartimentos no es suficientemente baja.	Esto puede deberse a diferentes razones (consulte «Soluciones»).	Compruebe que: <ul style="list-style-type: none"> • las puertas se cierren correctamente; • el aparato no esté instalado junto a una fuente de calor; • la temperatura ajustada sea adecuada; • la circulación de aire a través de las salidas en la parte inferior del aparato no estén obstruidas (consulte el apartado de instalación).
Hay agua en la parte inferior del compartimento frigorífico.	El desagüe para el agua de descongelación está bloqueado.	Limpie el desagüe para el agua de descongelación (consulte el apartado «Limpieza y mantenimiento»).
Cantidad excesiva de hielo en el compartimento del congelador.	La puerta del compartimento del congelador no cierra correctamente.	<ul style="list-style-type: none"> • Compruebe que no haya nada que impida que la puerta pueda cerrarse correctamente. • Descongele el compartimento del congelador. • Asegúrese de que el aparato se haya instalado correctamente.
El borde delantero del aparato, en la junta del resbalón de la puerta, está caliente.	No se trata de un defecto. Evita que pueda formarse condensación.	No es necesario realizar ninguna acción.
Uno o varios símbolos verdes parpadean continuamente y no es posible cambiar el ajuste de temperatura.	Alarma de mal funcionamiento. La alarma indica una anomalía en un componente técnico.	Póngase en contacto con el Servicio de Asistencia Técnica.
La temperatura en el compartimento frigorífico es demasiado fría.	<ul style="list-style-type: none"> • La temperatura ajustada es demasiado fría. • Se ha introducido una gran cantidad de alimentos frescos en el compartimento del congelador. 	<ul style="list-style-type: none"> • Intente ajustar una temperatura menos fría. • Si se han introducido alimentos frescos en el compartimento del congelador, espere hasta que se hayan congelado completamente. • Apague el ventilador (si lo hay), siguiendo el procedimiento que se describe en el párrafo «VENTILADOR».

WWW.FRANKE.COM

© Franke Technology and Trademark Ltd, Switzerland

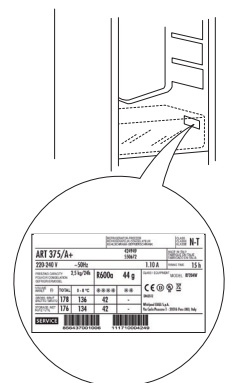
ASISTENCIA

En caso de problemas de funcionamiento, póngase en contacto con un Centro de Asistencia Técnica de Franke. No solicite nunca los servicios de técnicos no autorizados.

Comuniqué:

- el tipo de fallo
- el modelo del aparato (art./código)
- el número de serie (S/N).

Cuando se ponga en contacto con nuestro Centro de Asistencia, deberá indicar los códigos que figuran en la placa de características de su producto.



ÍNDICE

VISTA GERAL	48
Informação geral	48
Painel de controlo	48
FUNCIONAMENTO	49
Utilizar pela primeira vez	49
Compartimento do frigorífico e armazenamento de alimentos	49
Como armazenar alimentos frescos e bebidas	49
Compartimento do congelador de armazenamento de alimentos	50
Tempo de armazenamento recomendado para alimentos congelados	50
Como descongelar o compartimento do congelador	50
Sons funcionais	51
Recomendação em caso de não utilização do aparelho	51
LIMPEZA E MANUTENÇÃO	52
Luz do frigorífico	52
Prateleiras	52
Porta	52
RESOLUÇÃO DE PROBLEMAS	53
SUPORTE	54

GUIA DO UTILIZADOR

VISTA GERAL

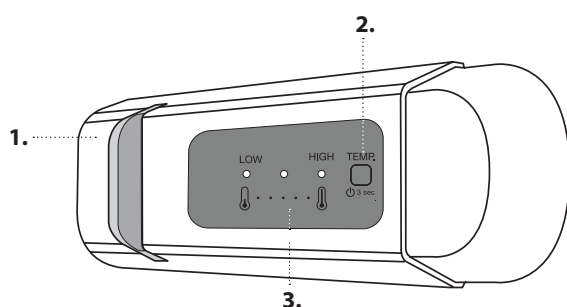
INFORMAÇÃO GERAL

As gavetas, cestos e prateleiras devem permanecer na posição atual, exceto se especificado de outra forma neste guia rápido. O sistema de iluminação no interior do compartimento do frigorífico dispõe de uma lâmpada LED, o que permite uma melhor iluminação comparativamente com as lâmpadas tradicionais, bem como um consumo de energia muito reduzido.

ELIMINAÇÃO

As portas e as tampas do aparelho de refrigeração devem ser removidas antes de serem depositadas em aterros, de forma a evitar que crianças ou animais fiquem presos no seu interior.

PAINEL DE CONTROLO




1. Luz LED
2. On/Stand-by
3. Temperatura dos compartimentos do congelador e do frigorífico

ON/STAND-BY

Prima o botão durante 3 segundos para desligar o aparelho. Quando o aparelho está em Stand-By, a luz no interior do compartimento do frigorífico não funciona. Pressione de novo o botão para tornar a ligar o aparelho.

Nota: esta ação não desliga o aparelho da fonte de alimentação.

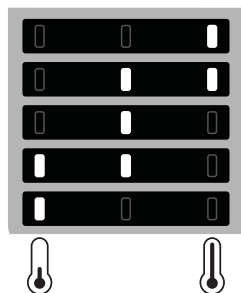
TEMPERATURA DOS COMPARTIMENTOS DO CONGELADOR E DO FRIGORÍFICO

Os três indicadores LED indicam a temperatura programada para o compartimento do frigorífico. É possível programar uma temperatura diferente do aparelho com o botão .

São possíveis os seguintes ajustes:

LEDs acesos

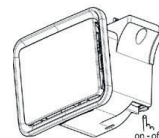
Definir temperatura



- Alto (menos frio)
- Médio-alto
- Média
- Médio-baixo
- Baixo (mais frio)

VENTOINHA

Podem ligar ou desligar a ventoinha, premindo o botão existente na base (conforme apresentado na figura). Se a temperatura ambiente exceder os 27 °C, ou se aparecerem gotas de água nas prateleiras de vidro, é essencial que a ventoinha seja ligada para assegurar a preservação adequada dos alimentos. Desativar a ventoinha permite otimizar o consumo de energia.



CONGELAR ALIMENTOS FRESCOS

Coloque os alimentos a serem congelados na ZONA DE CONGELAÇÃO do compartimento do congelador, evitando o contacto direto com os alimentos já congelados. Para otimizar a velocidade de congelação, a gaveta inferior pode ser retirada e os alimentos colocados diretamente no fundo do compartimento. A quantidade de alimentos frescos que pode ser congelada em 12 e 24 horas encontra-se indicada na placa de características

Para evitar um aumento no desperdício de alimentos, consulte a configuração recomendada e o Tempo de Armazenamento no capítulo FUNCIONAMENTO

FUNCIONAMENTO

UTILIZAR PELA PRIMEIRA VEZ

Aguarde, pelo menos, duas horas após a instalação para ligar o aparelho à fonte de alimentação. Ligue o aparelho à eletricidade e este começará a trabalhar automaticamente. As temperaturas ideais para armazenar os alimentos vêm predefinidas de fábrica.

Após ligar o aparelho, deve esperar entre 4 e 6 horas para que seja atingida a temperatura correta de armazenamento relativa a um aparelho com a carga normal. Quando o alarme soa, significa que o alarme da temperatura foi ativado: prima o botão para desligar os alarmes sonoros.

COMPARTIMENTO DO FRIGORÍFICO E ARMAZENAMENTO DE ALIMENTOS

O compartimento do frigorífico permite guardar alimentos frescos e bebidas. O compartimento frigorífico descongela completamente de forma automática. A presença ocasional de gotas de água na parte traseira interna do compartimento, indica a fase de descongelamento automático. A água de descongelação é automaticamente canalizada para um dreno e recolhida num recipiente, onde irá evaporar.

Nota: a temperatura ambiente, a frequência com que são abertas as portas e a posição do aparelho podem influenciar a temperatura interna de ambos os compartimentos. Programe as temperaturas de acordo com estes fatores. Em condições de muita humidade, pode ocorrer condensação no compartimento do frigorífico, especialmente nas prateleiras de vidro. Neste caso, recomenda-se que feche os recipientes que contêm líquidos (como por exemplo um recipiente com caldo), embrulhe os alimentos com elevado teor de água (como por exemplo vegetais) e ligue a ventoinha, caso exista. Todas as gavetas, prateleiras da porta e outras prateleiras podem ser retiradas.

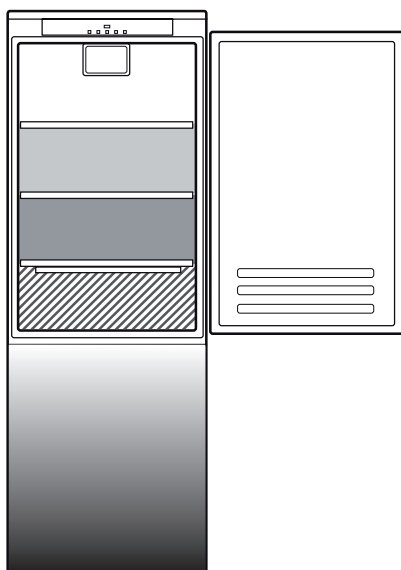
VENTILAÇÃO DO AR

O ar da ventilação permite uma melhor distribuição das temperaturas no interior dos compartimentos e, conseqüentemente, uma melhor preservação dos alimentos e redução do excesso de humidade. Não obstrua a área de ventilação.

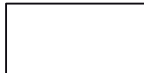



COMO ARMAZENAR ALIMENTOS FRESCOS E BEBIDAS

Os alimentos que libertem uma grande quantidade de etileno (maçãs, damascos, peras, pêssegos, abacates, figos, ameixas, frutos vermelhos, melões, feijão) e que sejam sensíveis a este gás, tais como as frutas e os vegetais, devem ser armazenados em separado ou cobertos de forma a não reduzir o seu prazo de validade; por exemplo, não armazene tomates juntamente com kiwis ou couves. Não guarde alimentos muito perto um dos outros para permitir uma suficiente circulação de ar. Use recipientes de plástico reciclável, metal, alumínio e vidro e película aderente para embrulhar os alimentos.

Se tiver uma pequena quantidade de alimento para guardar no compartimento frigorífico, recomendamos que utilize as prateleiras acima da gaveta de vegetais pois esta é a área mais fresca do compartimento. Feche sempre bem ou cubra os recipientes de líquidos e alimentos que possam entornar ou que possam ser contaminados por transferência de outros odores ou sabores. Para evitar que as garrafas caiam, pode usar o suporte para garrafas (disponível em modelos selecionados).




Legenda

-  **ZONA TEMPERATURA**
Recomendada para o armazenamento de frutas tropicais, latas, bebidas, ovos, molhos, pickles, manteiga e compotas
-  **ZONA FRESCA**
Recomendada para o armazenamento de queijo, leite, laticínios, charcutaria, iogurtes
-  **ÁREA MAIS FRESCA**
Recomendada para o armazenamento charcutaria, sobremesas, peixe e carne
-  **GAVETA PARA FRUTAS E LEGUMES**

Os limites de carga tanto são determinados pela construção específica (cestos, recipientes, abas, gavetas, prateleiras, etc.), como pelos limites de carga naturais.

COMPARTIMENTO DO CONGELADOR DE ARMAZENAMENTO DE ALIMENTOS

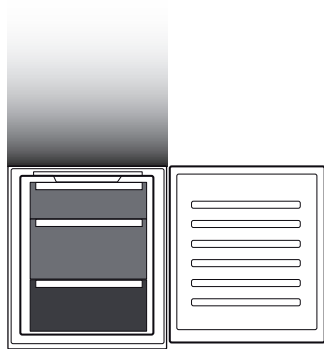
O compartimento do congelador  permite o armazenamento de comida congelada e congelação de comida fresca durante um longo tempo. A quantidade de alimentos frescos que pode ser congelada em 24 horas, encontra-se indicada na placa de características. Organize os alimentos frescos na área de congelação no interior do compartimento do congelador, deixando espaço suficiente à volta das embalagens de alimentos para que o ar circule livremente. Recomenda-se que não torne a congelar os alimentos que já descongelaram parcialmente. É importante embrulhar os alimentos de forma a evitar que entre água, humidade ou condensação.

CUBOS DE GELO

Encha 2/3 das cuvetes de gelo com água e coloque-as no compartimento do congelador. Não utilize em caso algum, objetos afiados ou pontiagudos para remover o gelo.

REMOVER AS GAVETAS

Puxe as gavetas para fora até prenderem, levante-as e retire-as para fora. Para obter mais volume, o compartimento do congelador poderá ser utilizado sem gavetas. Certifique-se de que a porta está corretamente fechada após voltar a colocar a comida nas grelhas/prateleiras.



Legenda



GAVETAS DO CONGELADOR



GAVETA ZONA CONGELAÇÃO

(Máx. zona fresca)

Recomendada para congelar alimentos frescos/cozinhados

TEMPO DE ARMAZENAMENTO RECOMENDADO PARA ALIMENTOS CONGELADOS

Zona de Armazenamento

Meses	2-6	4-8	6-12
			
Alimento			
			

COMO DESCONGELAR O COMPARTIMENTO DO CONGELADOR

1. Recomenda-se que regule a temperatura para um nível mais frio ou ligue o modo de Congelação Rápida/ Arrefecimento Rápido*, pelo menos, quatro horas antes de remover os alimentos do compartimento do congelador, de forma a prolongar a conservação dos alimentos durante a fase de descongelação.
2. Para descongelar, desligue o aparelho e retire as gavetas. Coloque os alimentos congelados num local fresco. Deixe a porta aberta para que o gelo derreta. Para evitar que saia água durante a descongelação, recomenda-se que coloque um pano absorvente no fundo do compartimento do congelador e que esprema esse pano regularmente.
3. Limpe o interior do compartimento do congelador e seque-o cuidadosamente.
4. Torne a ligar o aparelho e coloque os alimentos de novo no seu interior.

SONS FUNCIONAIS

1. O compressor gera um zumbido durante o funcionamento do aparelho; esta situação é normal.



2. A passagem do gás refrigerante no interior do circuito de refrigeração gera sons gorgolejantes e crepitações, pelo que estes sons são normais.



3. É possível que oiça crepitações quando o compressor é ativado e desativado: trata-se de um som normal proveniente da estrutura do produto.



4. Certifique-se de que as prateleiras existentes no interior da porta do frigorífico, bem como as gavetas do compartimento do mesmo se encontram fixas e posicionadas corretamente para evitar potenciais vibrações.
5. Não coloque recipientes de vidro (garrafas, jarros, etc.) em contacto direto uns com os outros para evitar quaisquer vibrações.
6. Este aparelho encontra-se equipado com um compressor que opera a uma velocidade mínima de forma a otimizar o consumo de energia. Como tal, em determinadas situações (durante o verão ou se armazenar grandes quantidades de alimentos) o compressor pode aumentar a sua velocidade e produzir mais ruído do que o habitual.

RECOMENDAÇÃO EM CASO DE NÃO UTILIZAÇÃO DO APARELHO

Em caso de não utilização do aparelho

Desligue o aparelho da tomada, despeje-o, descongele-o (se necessário) e limpe-o.

Mantenha as portas ligeiramente abertas para que o ar circule no interior dos compartimentos. Ao fazer isto, evita a formação de bolor e maus odores.

Em caso de interrupção no abastecimento de corrente

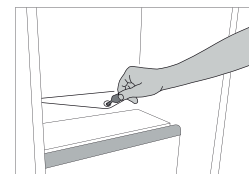
Mantenha as portas fechadas para que os alimentos se mantenham frios o máximo de tempo possível. Não torne a congelar alimentos que já tenha sido parcialmente descongelados. Se a falha de corrente for prolongada, poderá ser também ativado o alarme de falha de energia (em aparelhos com componente eletrónica).

LIMPEZA E MANUTENÇÃO

Antes de efetuar qualquer operação de limpeza ou manutenção, retire a ficha da tomada ou desligue a corrente elétrica.
Nunca utilize abrasivos. Nunca limpe as peças do congelador com líquidos inflamáveis.
Não utilize aparelhos de limpeza a vapor.
Os botões e o visor do painel de controlo não devem ser limpos com álcool ou substâncias derivadas do álcool, mas sim com um pano seco.

Limpe o aparelho ocasionalmente com um pano e uma solução de água morna e agente de limpeza neutro, especificamente quando limpar o interior do frigorífico.

Para assegurar um fluxo constante e correto da água proveniente da descongelação, limpe regularmente o interior do dreno que se encontra na parede de trás do compartimento frigorífico, perto da gaveta de frutas e vegetais, usando o utensílio fornecido.



LUZ DO FRIGORÍFICO

O sistema de iluminação no interior do compartimento do frigorífico dispõe de uma lâmpada LED, o que permite uma melhor iluminação comparativamente com as lâmpadas tradicionais, bem como um consumo de energia muito reduzido. Se precisar de substituição, contacte o Serviço de Assistência Técnica.

Importante: A luz do compartimento frigorífico acende-se ao abrir a porta do frigorífico.

PRATELEIRAS

Todas as gavetas, prateleiras da porta e outras prateleiras podem ser retiradas.

PORTA

REVERSIBILIDADE DAS PORTAS

Nota: A direção em que a porta é aberta pode ser alterada. Se esta operação não for realizada pelo Serviço Pós-Venda, não será coberta pela garantia. Siga as instruções contidas no capítulo de **Instalação**.

RESOLUÇÃO DE PROBLEMAS

O que fazer em caso de...	Razões possíveis	Soluções
O painel de controlo está desligado, o aparelho não funciona.	Pode existir um problema na fonte de alimentação do aparelho.	Verifique se: <ul style="list-style-type: none"> • não ocorreu uma falha de energia; • a ficha está inserida corretamente na tomada e o interruptor da tomada (se existir) está na posição correta (ou seja permite que o aparelho receba energia); • os dispositivos de proteção do sistema elétrico doméstico são eficientes; • o cabo de alimentação não está danificado.
	O aparelho pode estar no modo "On/Stand-by".	Desligue o aparelho por alguns instantes premindo o botão " Temp. " (consulte a função On/Stand-by).
A luz interior não funciona.	A lâmpada poderá ter de ser substituída. Mau funcionamento de um componente técnico.	Desligue o aparelho da fonte de alimentação e contacte o Serviço de Assistência Técnica se a lâmpada precisar de ser substituída.
A luz interior pisca.	Alarme da porta ativo. É ativado quando a porta do frigorífico permanece aberta durante um longo período de tempo.	Para parar o alarme, feche a porta do frigorífico. Ao reabrir a porta, verifique se a luz funciona.
A temperatura no interior dos compartimentos não é suficientemente baixa.	Isto pode dever-se a várias causas (consulte "Soluções").	Verifique se: <ul style="list-style-type: none"> • as portas fecham perfeitamente; • o aparelho não está instalado perto de uma fonte de calor; • a temperatura programada é a adequada; • a circulação de ar através das grelhas de ventilação na parte inferior do aparelho não está obstruída (consulte a secção de instalação).
Existe água no fundo do compartimento do frigorífico.	O dreno da água de descongelação está bloqueado.	Limpe o dreno da água de descongelação (consulte a secção "Limpeza e Manutenção").
Quantidade excessiva de gelo no compartimento do congelador.	A porta do compartimento do congelador não fecha devidamente.	<ul style="list-style-type: none"> • Verifique se não existe nada que impeça a porta de fechar devidamente. • Descongele o compartimento do congelador. • Certifique-se de que o aparelho está instalado corretamente.
A parte frontal do aparelho, na parte do vedante da porta, está quente.	Isto não é um defeito. Isto evita a formação de condensação.	Não é necessária realizar nenhuma ação.
Um ou mais símbolos verdes estão a piscar continuamente e não é possível alterar o valor da temperatura.	Alarme de anomalia. O alarme indica uma falha num componente técnico.	Serviço de Assistência Técnica.
A temperatura do compartimento do frigorífico está demasiado fria.	<ul style="list-style-type: none"> • A temperatura programada é demasiado fria. • Pode ter sido colocada uma grande quantidade de alimentos frescos no compartimento do congelador. 	<ul style="list-style-type: none"> • Tente programar uma temperatura menos fria. • Se foram colocados alimentos frescos no compartimento do congelador, espere até que tenham congelado totalmente. • Desligue a ventoinha (caso exista) de acordo com o procedimento descrito no parágrafo "VENTOINHA".

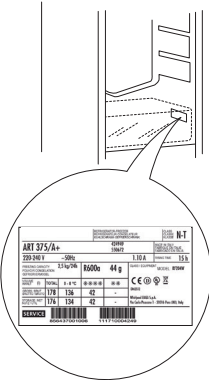
SUPORTE

Na eventualidade de quaisquer problemas de funcionamento, contacte o Centro de Assistência Técnica Franke. Nunca recorra aos serviços de técnicos não autorizados.

Indique:

- o tipo de avaria
- o modelo do aparelho (art./código)
- o número de série (S.N.).

Quando contactar o Centro de Assistência, forneça os códigos contidos na placa de características do seu produto.



SPIS TREŚCI

ZESTAWIENIE.....	56
Informacje ogólne.....	56
Panel sterowania	56
DZIAŁANIE	57
Pierwsze użycie.....	57
Komora chłodziarki i przechowywanie żywności.....	57
Jak przechowywać świeżą żywność i napoje	57
Komora zamrażarki i przechowywanie żywności.....	58
Okres przechowywana produktów zamrożonych przez użytkownika	58
Jak odszronić komorę zamrażarki.....	58
Odgłosy pracy urządzenia	59
Zalecenia w przypadku nieużywania urządzenia.....	59
CZYSZCZENIE I KONSERWACJA	60
Oświetlenie chłodziarki	60
Półki	60
Drzwiczki	60
USUWANIE USTEREK.....	61
WSPARCIE TECHNICZNE	62

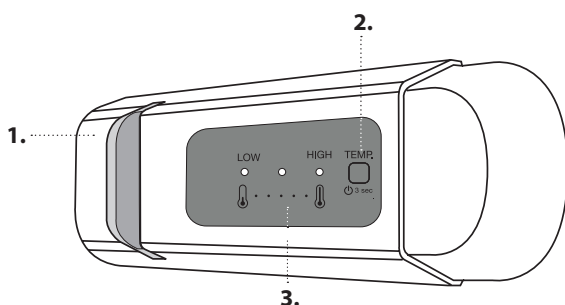
SKRÓCONA INSTRUKCJA OBSŁUGI

ZESTAWIENIE

INFORMACJE OGÓLNE

Szuflady, kosze i półki powinny pozostać na swoim miejscu, jeżeli w niniejszej skróconej instrukcji nie podano inaczej. W systemie oświetlenia wewnątrz chłodziarki zastosowano diody LED, które zapewniają lepszą widoczność w porównaniu z tradycyjnymi żarówkami, przy jednoczesnym bardzo niskim zużyciu energii.

PANEL STEROWANIA



USUWANIE ODPADÓW

Drzwi i pokrywy urządzenia chłodniczego powinny być usunięte przed wyrzuceniem ich na wysypisko, aby uniknąć uwięzienia w nich dzieci lub zwierząt.

1. Oświetlenie LED
2. Przycisk Wł. / Tryb czuwania
3. Temperatura komory chłodziarki i zamrażarki

PRZYCISK WŁ. / TRYBU CZUWANIA

Aby wyłączyć urządzenie, należy nacisnąć i przytrzymać przez 3 sekundy przycisk. Kiedy urządzenie pracuje w trybie czuwania, światło chłodziarki nie zapala się. Aby włączyć urządzenie, należy krótko nacisnąć ten przycisk ponownie.

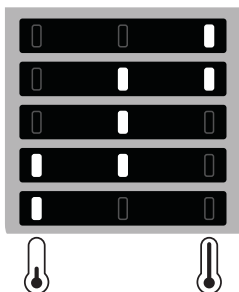
Uwaga: nie powoduje to odłączenia urządzenia od zasilania.

TEMPERATURA KOMORY CHŁODZIARKI I ZAMRAŻARKI

Ustawioną temperaturę komory chłodziarki sygnalizują trzy kontrolki LED. Można ustawić inną temperaturę urządzenia za pomocą przycisku . Możliwe są następujące regulacje:

Świecące diody

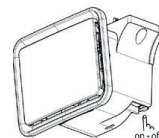
Ustawienie temperatury



- Wysoka (mniej chłodna)
- Średnia-wysoka
- Średnia
- Średnia-niska
- Niska (chłodniejsza)

WENTYLATOR

Można włączyć i wyłączyć wentylator, naciskając przycisk na podstawie (jak pokazano na rysunku). Jeśli temperatura otoczenia przekracza 27°C lub jeśli na szklanych półkach występują krople wody, w celu zapewnienia poprawnego przechowywania żywności należy włączyć wentylator. Wyłączenie wentylatora pozwala ograniczyć zużycie energii.



MROŻENIE ŚWIEŻEJ ŻYWNOŚCI

Umieścić świeże produkty spożywcze przeznaczone do zamrożenia w STREFIE ZAMRAŻANIA w komorze zamrażarki, nie dopuszczając do ich bezpośredniej styczności z już zamrożoną żywnością. Aby zoptymalizować prędkość zamrażania, należy usunąć dolną szufladę i umieścić żywność bezpośrednio na dnie komory. Ilość świeżej żywności, którą można zamrozić w ciągu 12 i 24 godzin, jest podana na tabliczce znamionowej

Aby uniknąć zwiększenia ilości odpadów spożywczych, należy zapoznać się z zalecanymi ustawieniami i czasem przechowywania w rozdziale DZIAŁANIE

DZIAŁANIE

PIERWSZE UŻYCIE

Po instalacji pozostawić urządzenie w bezruchu na co najmniej dwie godziny przed podłączeniem go do sieci. Po podłączeniu do źródła zasilania urządzenie zaczyna działać automatycznie. Optymalne temperatury przechowywania żywności są ustalone fabrycznie.

Po włączeniu urządzenia należy poczekać 4-6 godzin, aż zostanie osiągnięta prawidłowa temperatura przechowywania normalnie wypełnionego urządzenia. Jeśli urządzenie wyda sygnał dźwiękowy, oznacza to, że włączył się alarm temperaturowy: wcisnąć przycisk, aby wyłączyć alarmy dźwiękowe.

KOMORA CHŁODZIARKI I PRZECHOWYWANIE ŻYWNOSCI

Komora chłodziarki umożliwia przechowywanie świeżej żywności i napojów. Komora chłodziarki rozmraża się całkowicie w sposób automatyczny. Okazjonalna obecność kropeł wody na wewnętrznej ścianie tylnej komory jest objawem automatycznej fazy rozmrażania. Skropliny spływają do otworu spustowego i zbierają się w pojemniku, z którego następnie wyparowują.

Uwaga: temperatura otoczenia, częstotliwość otwierania drzwi i miejsce ustawienia urządzenia mogą mieć wpływ na temperaturę we wnętrzu obu komór. Wartości temperatury należy ustawić w zależności od tych czynników. W warunkach dużej wilgotności, wewnątrz komory chłodziarki może występować kondensacja, zwłaszcza na szklanych półkach. W tym przypadku zaleca się zamykanie pojemników z płynami (np. kubek z bulionem), zawijanie żywności o dużej zawartości wody (np. warzywa) i włączenie wentylatora (jeśli jest dostępny). Wszystkie szuflady, półki drzwiowe i półki w komorze można wyciągnąć.

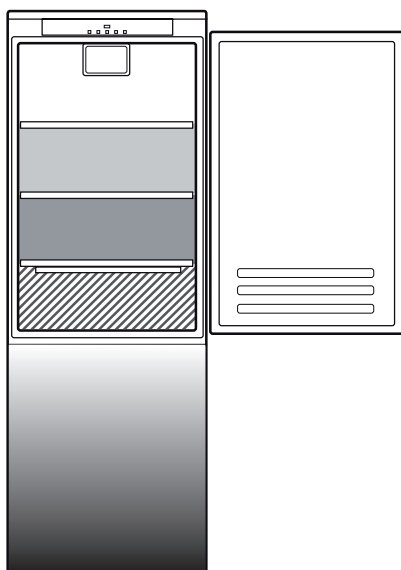
WENTYLACJA POWIETRZA

System wentylacji zapewnia lepszą dystrybucję temperatury wewnątrz komór i, w konsekwencji, większą skuteczność zachowania świeżości żywności i minimalizowania wilgoci. Nie zasłaniać obszaru wentylacji.

JAK PRZECHOWYWAĆ ŚWIEŻĄ ŻYWNOSĆ I NAPOJE

Produkty żywnościowe wydzielające duże ilości gazu etylenowego (jabłka, morele, brzoskwinie, awokado, figi, suszone śliwki, borówki, melony, fasolka) i produkty wrażliwe na ten gaz, takie jak owoce, warzywa i sałaty, należy zawsze umieszczać lub opakowywać osobno, aby zapobiec skracaniu ich terminu przydatności do spożycia; na przykład nie przechowywać pomidorów razem z owocami kiwi lub kapustą. Aby zapewnić dostateczną cyrkulację powietrza, nie należy przechowywać artykułów spożywczych zbyt blisko siebie. Używać pojemników wielokrotnego użytku – plastikowych, metalowych, aluminiowych i szklanych lub folii samoprzylepnej.

Gdy w chłodziarce przechowywana jest niewielka ilość żywności, zaleca się korzystanie z półek nad pojemnikiem na owoce i warzywa, ponieważ jest to najzimniejszy obszar w komorze. Żywność i napoje, które mogą wydzielać lub przyjmować zapachy, należy zawsze przechowywać w zamkniętych pojemnikach lub pod przykryciem. Aby zapobiec przewracaniu się butelek, można umieścić je w specjalnym uchwycie (występuje w wybranych modelach).




Legenda

-  **STREFA TEMPERATURY**
Zalecana do przechowywania owoców tropikalnych, puszek, napojów, jajek, sosów, marynat, masła, dżemu
-  **STREFA NISKIEJ TEMPERATURY**
Zalecana do przechowywania serów, mleka, wyrobów mleczarskich, produktów delikatesowych, jogurtów
-  **STREFA NAJNIŻSZEJ TEMPERATURY**
Zalecana do przechowywania wędlin i deserów, mięsa oraz ryb
-  **SZUFLADA NA WARZYWA I OWOCE**

Limity obciążenia są określone przez konkretną konstrukcję (kosze, kontenery, klapy, szuflady, półki itp.), lub limity obciążenia są określone przez naturalne granice obciążenia.

KOMORA ZAMRAŹARKI I PRZECHOWYWANIE ŻYWNOSCI

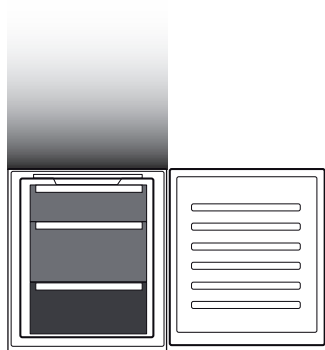
Komora zamrażarki  umożliwia długotrwałe przechowywanie zamrożonej żywności i mrożenie świeżej żywności. Ilość świeżej żywności, którą można zamrozić w ciągu 24 godzin, jest podana na tabliczce znamionowej. Rozmieścić świeżą żywność w obszarze mrożenia wewnątrz komory zamrażarki, pozostawiając wystarczającą ilość miejsca wokół opakowań żywności na swobodny przepływ powietrza. Nie zaleca się ponownego zamrażania częściowo rozmrożonej żywności. Ważne jest, aby owinąć żywność w sposób zapobiegający przedostawaniu się wody, wilgoci lub kondensacji.

KOSTKI LODU

Wypełnić 2/3 tacki na lód wodą i włożyć ją z powrotem do komory zamrażarki. Nigdy nie używać ostrych lub ostro zakończonych przedmiotów do wyjmowania lodu.

WYJMOWANIE SZUFLAD

Wysunąć szuflady maksymalnie na zewnątrz, unieść je i wyjąć. Aby uzyskać większą objętość, z komory chłodziarki można wyjąć wszystkie szuflady. Po ponownym umieszczeniu żywności na kratkach/półkach należy upewnić się, że drzwi są odpowiednio zamknięte.



Legenda



SZUFLADY ZAMRAŹARKI



SZUFLADA STREFY ZAMRAŻANIA
(Strefa najniższej temperatury)

Zalecana do zamrażania świeżej żywności/
ugotowanych potraw

OKRES PRZECHOWYWANA PRODUKTÓW ZAMROŻONYCH PRZEZ UŻYTKOWNIKA

Strefa przechowywania

Miesiące

2-6

4-8

6-12



Żywność



JAK ODSZRONIĆ KOMORĘ ZAMRAŹARKI

1. Zaleca się ustawić temperaturę na niższą lub włączyć funkcję szybkiego zamrażania/szybkiego chłodzenia na co najmniej cztery godziny przed wyjęciem produktów z komory zamrażarki w celu przedłużenia okresu trwałości produktów podczas fazy rozmrażania.
2. Aby rozpocząć rozmrażanie, wyłączyć urządzenie i wyjąć szuflady. Umieścić zamrożoną żywność w chłodnym miejscu. Pozostawić otwarte drzwi, aby umożliwić roztopienie się szronu. Aby zapobiec wylewaniu się wody podczas rozmrażania, zaleca się ułożenie chłonnego materiału na spodzie komory zamrażarki i jego regularne wyżymanie.
3. Wyczyścić wnętrze komory zamrażarki i dokładnie ją osuszyć.
4. Włączyć urządzenie ponownie i z powrotem umieścić w nim żywność.

ODGŁOSY PRACY URZĄDZENIA

1. Hałas podczas pracy kompresora jest normalnym zjawiskiem.



2. Bulgotanie oraz stuki powstają podczas przechodzenia gazowego czynnika chłodniczego wewnątrz układu chłodzącego i są uważane za zjawisko normalne.



3. Skrzypiące dźwięki można „usłyszeć”, zarówno kiedy kompresor pracuje, jak i wtedy, gdy jest nieaktywny: jest to normalny dźwięk wydawany przez strukturę urządzenia.



4. Sprawdzić, czy półki po wewnętrznej stronie drzwi chłodziarki oraz półki i szuflady w komorze chłodziarki są poprawnie umieszczone i umocowane, w celu uniknięcia potencjalnych wibracji.

5. Nie umieszczać szklanych pojemników (butelek, słoików, itd.) w bezpośrednim sąsiedztwie, w celu uniknięcia potencjalnych wibracji.

6. Urządzenie jest wyposażone w kompresor, który działa z optymalną prędkością w celu zminimalizowania zużycia energii. Może zdarzyć się, w niektórych sytuacjach (np. latem lub w przypadku umieszczenia dużej ilości produktów), że kompresor zwiększy prędkość i stanie się głośniejszy niż zwykle.

ZALECENIA W PRZYPADKU NIEUŻYWANIA URZĄDZENIA

W przypadku nieużywania urządzenia

Odłączyć urządzenie od źródła zasilania, opróżnić je, rozmrozić (jeśli konieczne) i wyczyścić.

Zostaw lekko otwarte drzwi, aby umożliwić przepływ powietrza przez komory. Pozwala to zapobiec powstawaniu pleśni i przykrych zapachów.

W przypadku przerwy w zasilaniu

Zostawić zamknięte drzwi, aby jak najdłużej utrzymać niską temperaturę żywności. Nie zamrażać ponownie żywności, która uległa częściowemu rozmrożeniu. Jeżeli zasilanie jest odcięte przez dłuższy czas, może być także aktywny alarm długiej awarii zasilania (w przypadku produktów wyposażonych w sterownik elektroniczny).

CZYSZCZENIE I KONSERWACJA

Przed przystąpieniem do mycia lub innych czynności konserwacyjnych odłączyć urządzenie od źródła zasilania lub wyjąć wtyczkę z gniazda.

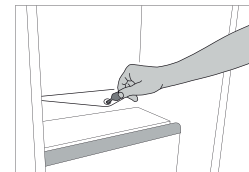
Nie stosować substancji ściernych. Nie czyścić elementów urządzenia środkami łatwopalnymi.

Nie stosować parowych urządzeń do czyszczenia.

Przycisków i wyświetlacza panelu sterowania nie należy czyścić przy użyciu alkoholu lub środków na bazie alkoholu. Należy używać do tego celu wyłącznie suchej szmatki.

Urządzenie należy czyścić okazjonalnie za pomocą szmatki oraz roztworu ciepłej wody i neutralnych środków przeznaczonych do czyszczenia wnętrza chłodziarki.

Aby zapewnić stały i prawidłowy przepływ skroplin, należy regularnie czyścić wnętrze spustu znajdującego się w tylnej ścianie komory chłodziarki w pobliżu szuflady na owoce i warzywa za pomocą dostarczonego przyboru.



OŚWIETLENIE CHŁODZIARKI

W systemie oświetlenia wewnątrz chłodziarki zastosowano diody LED, które zapewniają lepszą widoczność w porównaniu z tradycyjnymi żarówkami, przy jednoczesnym bardzo niskim zużyciu energii. W razie konieczności wymiany należy skontaktować się z serwisem technicznym.

Ważne: Oświetlenie wewnątrz komory chłodziarki włącza się po otwarciu drzwiczek.

PÓŁKI

Wszystkie szuflady, półki drzwiowe i półki w komorze można wyciągnąć.

DRZWICZKI

PRZEKŁADANIE DRZWI

Uwaga: Kierunek otwierania drzwiczek można zmienić. Jeżeli operacja ta nie jest wykonana przez Serwis Posprzedażowy, jest to usługa nieobjęta gwarancją. Potrzebne informacje można znaleźć w rozdziale **Instalacja**.

USUWANIE USTEREK

Co zrobić, gdy...	Możliwe przyczyny	Rozwiązania
Panel sterowania jest wyłączony, urządzenie nie działa.	Być może wystąpił problem z zasilaniem elektrycznym urządzenia.	Sprawdzić: <ul style="list-style-type: none"> • Czy nie wystąpiła przerwa w dostawie prądu; • Czy wtyczka została poprawnie wciśnięta w gniazdo, a przełącznik dwubiegunowy sieci (jeśli gniazdo jest w niego wyposażone) jest we właściwym położeniu (umożliwia zasilanie urządzenia); • Czy urządzenia ochronne domowej instalacji elektrycznej są sprawne; • Czy kabel zasilania nie został uszkodzony.
	Urządzenie może być w trybie wł./czuwania.	Włączyć urządzenie, naciskając krótko przycisk "Temp" (patrz funkcja Wł./ Tryb czuwania).
Nie działa oświetlenie wewnętrzne.	Oświetlenie może wymagać wymiany. Usterka podzespołu technicznego.	W razie konieczności wymiany należy skontaktować się z serwisem technicznym i odłączyć urządzenie od źródła zasilania.
Lampka oświetlenia wewnętrznego miga.	Alarm otwartych drzwi aktywny. Włącza się, gdy drzwi komory chłodziarki pozostają otwarte przez dłuższy czas.	Aby wyłączyć alarm, należy zamknąć drzwi chłodziarki. Po ponownym otwarciu drzwi sprawdzić działanie lampki.
Temperatura wewnątrz komór nie jest dostatecznie niska.	Przyczyn może być wiele (patrz „Rozwiązania”).	Sprawdzić: <ul style="list-style-type: none"> • Czy drzwi prawidłowo się zamykają; • Czy urządzenie nie zostało umieszczone przy źródle ciepła; • Czy ustawiona temperatura jest odpowiednia; • - obieg powietrza przez kratki wentylacyjne u dołu urządzenia nie jest zablokowany (patrz rozdział dotyczący montażu).
Na dnie komory chłodziarki zbiera się woda.	Spust wody z odszraniania jest zatkany.	Oczyścić spust skroplin (patrz rozdział „Czyszczenie i konserwacja”).
Nadmierna ilość szronu w komorze zamrażarki.	Drzwi komory zamrażarki nie zostały poprawnie zamknięte.	<ul style="list-style-type: none"> • Sprawdzić, czy żaden przedmiot nie utrudnia prawidłowego zamknięcia drzwi. • Rozmrozić komorę zamrażarki. • Upewnić się, że urządzenie zostało poprawnie zamontowane.
Krawędź przednia urządzenia w pobliżu uszczelki drzwiowej jest gorąca.	Nie jest to usterka. Jest to celowy efekt mający na celu zapobieżenie powstawaniu skroplin.	Nie wymaga rozwiązania.
Co najmniej jeden zielony symbol miga w sposób ciągły i nie można zmienić ustawienia temperatury.	Alarm nieprawidłowego działania. Alarm sygnalizuje nieprawidłowe działanie podzespołu technicznego.	Skontaktować się z serwisem wsparcia technicznego.
Temperatura komory chłodziarki jest za niska.	<ul style="list-style-type: none"> • Ustawiono zbyt niską temperaturę. • W komorze zamrażarki mogła zostać umieszczona duża ilość świeżej żywności. 	<ul style="list-style-type: none"> • Spróbować ustawić niższą temperaturę. • Jeśli w komorze zamrażarki umieszczono świeżą żywność, należy odczekać, aż zostanie ona w pełni zamrożona. • Wyłączyć wentylator (jeśli jest w wyposażeniu), zgodnie z procedurą opisaną w części „WENTYLATOR”.

WWW.FRANKE.COM

© Franke Technology and Trademark Ltd, Switzerland

WSPARCIE TECHNICZNE

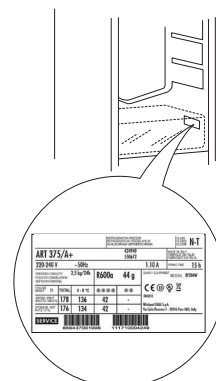
W przypadku jakichkolwiek problemów eksploatacyjnych należy skontaktować się z centrum serwisowym Franke Technical Service Centre.

Nigdy nie należy korzystać z usług nieautoryzowanych techników.

Podać następujące informacje:

- rodzaj usterki
- model urządzenia (art./Kod)
- numer seryjny (S.N.).

Kontaktując się z naszym Centrum Serwisowym, prosimy o podanie kodów znajdujących się na tabliczce identyfikacyjnej Państwa produktu.



Make
it
Wonderful

www.franke.com

FRANKE

EN DE FR IT ES PT PL

400011450635

